

800MT

EXPLORE

OWNER'S
MANUAL

TABLE OF CONTENTS

Foreword	9
EVAP System (Evaporative Emission Control System)	10
Catalytic Converter	11
Introduction	14
VIN and Engine Serial Number	15
Specifications	16
Operator Safety	19
General Safety Precautions	19
Owner Responsibilities.....	23
Safe Riding Gear.....	24
Potential Hazard Warnings.....	27
View of Vehicle	32
Rear Left View.....	32
Front Right View	33
Controls and Features	34
Clutch Lever	34
Front Hand Brake Lever.....	34
Handlebar Switch, LH (Optional State One)	35

Handlebar Switch, RH (Optional State One).....	37
Handlebar Switch, LH (Optional State Two).....	38
Handlebar Switch, RH (Optional State Two).....	41
Electronic Throttle Assy.....	42
Locks.....	42
Gear Shift Lever.....	46
Rear Brake Lever.....	47
Side Stand.....	47
Center Stand.....	48
Passenger Handhold and Footrest.....	50
Windshield Adjusting Knob.....	51
Instrument.....	52
Activation and Test.....	52
TFT Instrument.....	52
Instrument Indicators.....	53
Instrument Display.....	57
SPORT.....	67
RAIN.....	67
Instrument Menu.....	69
MMI Instrument (If equipped).....	92

Instrument Display	96
Navigation	98
Operating Your Vehicle	122
Break-in Period	122
Daily Safety Inspection.....	123
Starting.....	125
Starting Off	126
Shifting, Riding.....	126
Brake	128
Parking	129
Safety Operation.....	130
Safe Riding Technique	130
Additional Cautions for High Speed Operation	132
Precaution for Off-road Surfaces.....	133
Maintenance.....	134
Severe Use Definition	134
Key Points of Lubrication Schedule:	135
Break-in Maintenance Schedule	136
Periodic Maintenance Schedule.....	139
Clutch Lever Freeplay	145

Tool kit	146
Fuel System	147
Fuel Tank.....	147
Fuel Requirement.....	148
Octane Rating Class	148
Refueling	149
Engine Assy	150
Engine Oil Level Inspection.....	150
Change Engine Oil and Oil Filter.....	151
Engine Oil Capacity.....	153
Spark Plug.....	154
Air Intake and Exhaust System	155
Fuel & Exhaust Detecting System.....	155
Air Intake Valve	155
Valve Clearance	156
Air Filter.....	157
Cooling System	158
Radiator and Cooling Fan	158
Radiator Hoses	158
Coolant.....	159

Coolant Level Inspection	161
Coolant Filling	162
Tire and Chain.....	163
Tire Specification	163
Tire Friction	165
Drive Chain Inspection	167
Chain Tension Adjustment.....	168
Brake System.....	170
Front Brake Lever Inspection	170
Rear Brake Pedal Inspection	170
Brake Fluid Level Inspection	171
Adding Brake Fluid	172
Brake Disc Inspection	174
Brake Caliper Inspection	174
Anti-lock Braking System (ABS)	175
Shock Absorber.....	176
Shock Absorber Inspection	176
Rear Shock Absorber Adjustment	177
Front Shock Absorber Adjustment.....	179
Preload Adjustment	180

Suspension Adjustment Chart.....	181
Electrical System and Light Signal.....	182
Battery.....	182
Lights.....	184
Fuses.....	186
Radar System(If Equipped).....	187
FUNCTION.....	187
OPERATION.....	188
SYSTEM RESTRICTIONS.....	190
SERVICE.....	192
Catalytic Converter.....	193
Fuel Evaporation System.....	194
Motorcycle cleaning and storage.....	195
General Precautions.....	195
Washing Vehicle.....	196
Protect the Surface.....	197
Windshield and Other Plastics.....	197
Chrome and Aluminum.....	197
Preparation for Storage.....	199
Preparation After Storage.....	200

Transporting Your Vehicle	200
General troubles and causes	201
Telematics BOX (T-BOX) and CFMOTO Ride App	204
Torque Table	205

FOREWORD

Foreword

Thank you for purchasing a CFMOTO vehicle, and welcome to our world-wide family of CFMOTO enthusiasts. Be sure to visit us online at www.cfmoto.com for the latest news, new product introductions, upcoming events, and more.

CFMOTO is an international company that specializes in the development, manufacture, and marketing of all-terrain vehicles, utility vehicles, large displacement motorcycles, and their core components. Founded in 1989, CFMOTO is devoted to the development of independent brand cultivation and R&D innovation.

CFMOTO products are currently distributed through more than 2000 companions worldwide in more than 100 countries and regions. CFMOTO is edging into the advanced ranks in the world of powersports, and aims to supply superior products to dealers and fans globally.

For safe and enjoyable operation of your vehicle, be sure to follow the instructions and recommendations in this owner's manual. Your manual contains instructions for minor maintenance. Information about major repairs is outlined in the CFMOTO Service Manual.

Your CFMOTO dealer knows your vehicle best and is interested in your total satisfaction. Be sure to return to your dealership for all of your service needs during, and after, the warranty period.

Due to constant improvements in the design and quality of production components, some minor discrepancies may result between the actual vehicle and the information presented in this publication.

Depictions and/or procedures within are intended for reference use only. The content in this publication is based on the latest production information available at the time of approval for printing.

CFMOTO reserves the right to make changes at any time without notice and without incurring any obligation.

FOREWORD

Before every ride, please inspect your vehicle and follow the basic maintenance procedures before riding. Please keep this manual together with your vehicle, even when transferring the vehicle to others.

Zhejiang CFMOTO power Co., Ltd reserves the final explanation rights of the owner's manual.

DANGER

Operating, servicing and maintaining on-road or off-road vehicles can expose you to chemicals including engine exhaust, carbon monoxide, phthalates, and lead, which are known to the State of California to cause cancer and birth defects or other reproductive harm. To minimize exposure, avoid breathing exhaust, do not idle the engine except as necessary, service your vehicle in a well-ventilated area and wear gloves or wash your hands frequently when servicing your vehicle. For more information, go to: www.p65warnings.ca.gov

EVAP System (Evaporative Emission Control System)

(If equipped)

When required by environmental emissions regulations, this vehicle is manufactured with a fuel evaporation system (EVAP) to prevent fuel vapors entering the atmosphere from the fuel tank and fuel system.

During routine maintenance, visually inspect all hose connections for leaks or blockage. Ensure the hoses are not clogged or kinked, which could damage the fuel pump or distort the fuel tank. No other maintenance is necessary.

Contact your dealer if repair is required. Do not modify the EVAP system. Modifying any part of this system will violate environmental emissions regulations.

FOREWORD

Catalytic Converter

CAUTION: Please pay attention to the following to protect your catalytic converter:

- Use only unleaded gasoline. Even gasoline that contains a little lead could damage the reactive metals contained in the catalytic converter and disable it.
- Never add rust preventive oil or engine oil into the muffler. Doing so could damage the catalytic converter.

NOTE

Some features described within this manual may not apply to models sold in North America.

All descriptions and directions given are from the operator's perspective when properly seated.

FOREWORD

Signal Words

A signal word calls attention to a safety message or messages, a property damage message or messages, and designates a degree or level of hazard seriousness. The standard signal words in this manual are **DANGER**, **WARNING**, **CAUTION** and **NOTE**.

The following signal words and symbols appear throughout this manual and on your vehicle. Your safety is involved when these words and symbols are used. Become familiar with their meanings before reading the manual:

DANGER

This safety alert and icon indicates a potential hazard that may result in serious injury or death.

WARNING

This safety alert and icon indicates a potential hazard that may result in minor or moderate personal injury and/or damage to the vehicle.

CAUTION

This safety alert and icon indicates a potential hazard that may result in damage to the vehicle.

NOTE

A note will alert you to important information or instructions.

FOREWORD
READ THE OWNER'S MANUAL
FOLLOW ALL INSTRUCTIONS AND WARNINGS

 WARNING

Read, understand, and follow all of the instructions and safety precautions in this manual and on all product labels. Failure to follow the safety precautions could result in serious injury or death.

 WARNING

The engine exhaust gas from this product contains CO, which is deadly gas and could cause headaches, giddiness, loss of consciousness, or even death.

INTRODUCTION

Introduction

Thank you for purchasing a CFMOTO vehicle, and welcome to our world-wide family of CFMOTO enthusiasts.

For safe and enjoyable operation of your vehicle, be sure to follow the instructions and recommendations in this owner's manual. Information about major repairs are outlined in the CFMOTO Service Manual, and should only be performed by a CFMOTO service dealer and technician. Be sure to return to your dealership for all of your service needs during, and after, the warranty period.

If you have questions or concerns about your vehicle:

All questions or concerns related to your vehicle should be directed to your local CFMOTO dealer first. Your dealer knows your vehicle best and is interested in your total satisfaction. In the event your local dealer is unable to resolve a product issue or concern, you can reach a CFMOTO customer service representative depending on the market you reside in.

Due to constant improvements in design, quality, or configuration of production components, some minor discrepancies may result between the actual vehicle and the information presented in this publication. CFMOTO reserves the right to change product features, specifications, or components without notice or incurring obligation to the purchaser. Depictions, descriptions, and/or procedures in this publication are intended for reference use only. The most current version of this manual is available on the CFMOTO consumer website of the market you reside in.

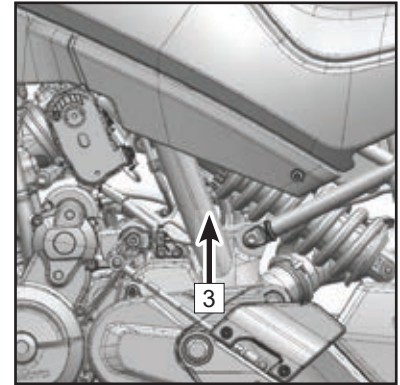
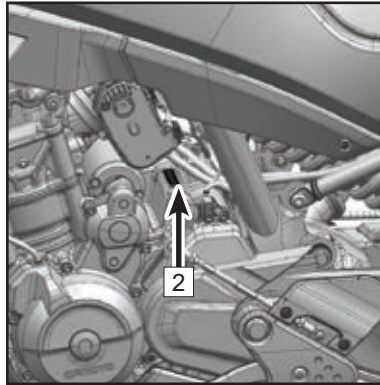
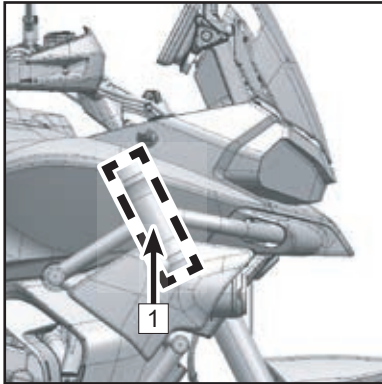
INTRODUCTION

VIN and Engine Serial Number

Be sure to record the VIN number, engine serial number and name plate information in the spaces below:

Vehicle identification number:

Engine serial number:



1	VIN NO.	2	Engine serial NO.	3	Name plate
---	---------	---	-------------------	---	------------

SPECIFICATIONS

Specifications

	800MT
Maximum mass	910.5 lb. (413 kg)
Maximum passengers	2
Performance	
Max. power	89.8 Hp (67 Kw) / 9250 rpm
Max. torque	55.3 Ft-lb (75 N*m) / 8000 rpm
Min. turn diameter	17.7 ft (5.4 m)
Top designed speed	121 mph (195 km/h)
Size	
Length	87.9 in. (2234 mm)
Width	33.6 in. (853 mm)
Height	58.1 in. (1475 mm)
Wheelbase	60.3 in. (1531 mm)
Seat height	32.5 in. (825 mm)
Ground clearance	7.5 in. (190 mm)
Curb weight	509.3 lb. (231 kg)
Engine	
Type	Cylinder in-line, Two Cylinder, Four Stroke, Liquid Cooled, DOHC
Displacement	799 mL
Bore×Stroke	3.46 in. × 2.59 in. (88 mm × 65.7 mm)
Compression ratio	12.7(±0.3): 1

SPECIFICATIONS

Starting system	Electric starter	
Fuel supplying system	EFI	
Ignition control system	ECU Ignition	
Lubricating system	Pressure / splash lubrication	
Engine oil type	SAE 10W-50 JASO T903 MA2 (See page 153 for oil viscosity chart)	
Coolant capacity	44 oz. + 4 oz. (1300 mL + 180 mL)	
Idle speed	1610 r/min \pm 160 r/min	
Transmission		
Transmission type	6-speed, manual gear shift	
Clutch type	Wet, multi-disc, manual	
Driving system	Chain drive	
Primary reduction ratio	1.923	
Final reduction ratio	2.813	
Gear ratio	1 st	2.846
	2 nd	2.000
	3 rd	1.550
	4 th	1.273
	5 th	1.083
	6 th	0.957
Chassis		
Tire size	Front	110/80 R19
	Rear	150/70 R17

SPECIFICATIONS

Rim size	Front	MT2.5×19
	Rear	MT4.25×17
Capacity of fuel tank	5.07 gal (19.2 L)	
Fuel consumption	≤1.48 gal (5.6 L) / 100km	
Electric components		
Battery	12V / 11.2 Ah	
Headlight	High Beam LED: 35W / 40W	
	Low Beam LED: 26W	
	Position Light LED: 12 / 10W	
Turning light	LED: 1.5W×3	
Tail light	Rear Position Light LED: 2.3W / 2W	
	Braking Light LED: 4.4W / 1.5W	
Front fog light	LED: 7.5W / unit	

OPERATOR SAFETY

Operator Safety

General Safety Precautions

WARNING

Failure to heed the warnings contained in this manual can result in serious injury or death. This vehicle is not a toy and can be hazardous to operate.

Read this owner's manual. Understand all safety warnings, precautions and operating procedures before operating this vehicle.

Riding Restrictions

This vehicle is an ADULT VEHICLE ONLY. The operator must acquire a driving license as required by local laws and regulations.

Know Your Vehicle

As the operator of the vehicle, you are responsible for your personal safety, the safety of others, and the protection of the environment. Read and understand your owner's manual, which includes valuable information about all aspects of your vehicle, including safe operating procedures.

OPERATOR SAFETY

Equipment Modifications

CFMOTO is concerned with the safety of our customers and for the general public. Therefore, we strongly recommend that consumers do not install on a vehicle, any equipment that may increase the speed or power of the vehicle, or make any other modifications to the vehicle for these purposes. Any modifications to the original equipment of the vehicle create a substantial safety hazard and increase the risk of body injury. The warranty on your vehicle is terminated if any unapproved accessory equipment has been added to the vehicle, or if any modifications have been made to the vehicle that increase its speed or power.

Avoid Carbon Monoxide Poisoning

All engine exhaust contains carbon monoxide, a deadly gas. Breathing carbon monoxide can cause headaches, dizziness, drowsiness, nausea, confusion and eventually death.

Carbon monoxide is a colorless, odorless, tasteless gas that may be present even if you do not see or smell any engine exhaust. Deadly levels of carbon monoxide can collect rapidly, and you can quickly be overcome and unable to save yourself. Also, deadly levels of carbon monoxide can linger for hours or days in enclosed or poorly ventilated areas.

To prevent serious injury or death from carbon monoxide:

- Never run the vehicle in poorly ventilated or partially enclosed areas.
- Never run the vehicle outdoor where engine exhaust can be drawn into a building through openings such as windows and doors.

OPERATOR SAFETY

Avoid Gasoline Fires and Other Hazards

Gasoline is extremely flammable and highly explosive. Fuel vapors can spread and be ignited by a spark or flame many feet away from the engine. To reduce the risk of fire or explosion, follow these instructions:

- Strictly adhere to proper fueling procedures.
- Never start or operate the engine if the fuel cap is not properly installed. Gasoline is poisonous and can cause injury or death.
- Never siphon gasoline by mouth.
- If you swallow gasoline, get any in your eye(s) , or inhale gasoline vapor, see a doctor immediately.
- If gasoline spills on you, wash with soap and water and change your clothes.

Fuel Minimum Octane Rating and Safety Warnings

The recommended fuel for your vehicle is E5 or 95(RON). Non-oxygenated (ethanol-free) fuel is recommended for best performance in all conditions.

OPERATOR SAFETY

WARNING

Gasoline is highly flammable and explosive under certain conditions.

Allow the engine and exhaust system to cool before filling the tank.

Always exercise extreme caution whenever handling gasoline.

Always refuel with the engine stopped, and outdoors or in a well ventilated area.

Do not smoke or allow open flames or sparks in or near the area where refueling is performed, or where gasoline is stored.

Do not overfill the tank. Do not fill to the tank neck.

If gasoline spills on your skin or clothing, immediately wash it off with soap and water and change clothing. Never start the engine or let it run in an enclosed area. Engine exhaust fumes are poisonous and can cause loss of consciousness or death in a short time.

The engine exhaust from this product contains chemicals known to cause cancer, birth defects or other reproductive harm. Operate this vehicle only outdoors or in well-ventilated areas.

Avoid Burns from Hot Parts

The exhaust system and engine become hot during operation. Avoid contact during and shortly after operation to avoid burns.

OPERATOR SAFETY

Owner Responsibilities

Be Qualified and Responsible

Read this Owner's Manual and the warning decals on this vehicle carefully. Take a safety training course on open areas if available. Practice at low speeds. Higher speeds require greater experience, knowledge and suitable riding conditions. Become completely familiar with the operational controls and the general operation of the vehicle.

This vehicle is an ADULT VEHICLE ONLY. The operator must acquire a driving license as required by local laws and regulations. Operators must be tall enough with physical capacity to: be properly seated, hold the handlebar with both hands, fully stroke the clutch lever with the left hand, fully stroke the brake lever with the right hand, fully stroke the foot brake lever with the right foot, be able to firmly plant both feet on the foot pegs, and be able to balance the vehicle with the feet when stopped.

Carrying a Passenger

- Only carry one passenger. The passenger must be properly seated in the passenger seat. The passenger should be tall enough to always be properly seated when holding handhold, and feet firmly planted on the foot pegs.
- Instruct the passenger to read the vehicle's safety labels.
- Never carry a passenger who has used drugs or alcohol, or is tired or ill. These slow reaction time and impair judgment.
- Never carry a passenger if you judge their ability or judgment is insufficient to concentrate on the terrain conditions and adapt accordingly.

OPERATOR SAFETY

Safe Riding Gear

Always wear clothing suited to the type of riding for the driver and passenger, includes:

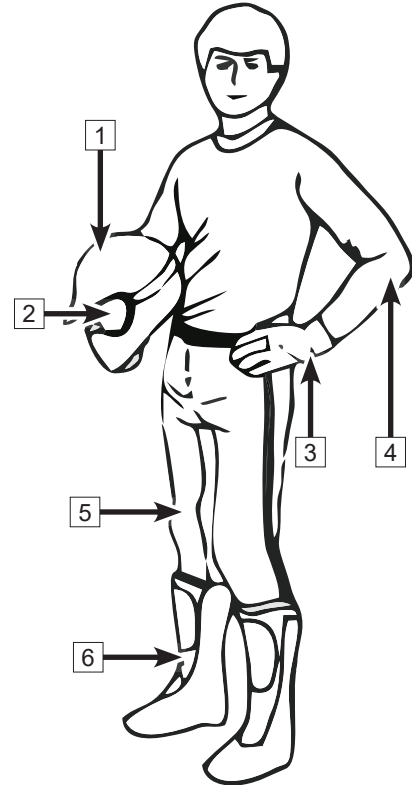
- 1 An approved helmet
- 2 Goggles
- 3 Gloves
- 4 Long-sleeved shirts or jackets
- 5 Long pants
- 6 Over-the-ankle boots

According to the actual weather, you may need extra apparel, such as anti-fog eye protection, thermal underwear and a face guard for cold weather. The operator must never wear loose clothing that may get entangled in the vehicle or on tree branches and shrubs.

Helmet and Goggles

An approved helmet can prevent a serious head injury if an accident occurs. Please note that even the best helmet is no guarantee against injury.

The helmet you choose should meet the standard for your country or area. A closed-face helmet with face shield will be better at preventing impacts from insects, flying rocks, dust and scattered debris, etc.



OPERATOR SAFETY

An open-face helmet cannot offer the same protection for your face and jaw. Please wear detachable face masks and goggles when wearing an open-face helmet.

Do not depend on eyeglasses or sunglasses for eye protection, as they are not rated for enough eye protection. Debris may fly up or break the lens, causing eye injury.

Use tinted masks or goggles only during the day in bright light, do not use them at night or in poor light. They may affect your ability to distinguish colors. Do not use them if your color discrimination is affected.

Gloves

Full-finger gloves could protect your hands from wind, sun, heat, cold, and splash. Well-fitted gloves are helpful for steering and relieve hand fatigue. If the gloves are too heavy, it will be difficult to operate the vehicle.

A pair of strong motorcycle gloves offer protection for your hands in the event of an accident or turnover. Snowmobile gloves offer better protection when operating in cold areas.

Jackets, Pants and Motorcycle Suits

Wear a jacket or a long sleeved shirt and long pants, or a full riding suit. Quality protective gear will provide comfort, and it can help you avoid being distracted by adverse environmental elements. In case of an accident, good quality protective gear made of sturdy material may prevent or reduce injury.

In cool-weather riding, protect yourself against hypothermia. Hypothermia, a condition of low body temperature, can cause loss of concentration, slowed reactions and loss of smooth, precise muscle movement. In cool conditions, proper protective gear like a windproof jacket and insulated layers of clothing are essential. Even while riding at moderate temperatures, you can feel very cold due to the wind. Protective gear that is appropriate for cold-weather riding may be too hot when stopped. Dress in layers so that clothing can be removed as desired. Topping the protective gear with a windproof outer layer can prevent cold air from reaching the skin.

OPERATOR SAFETY

Boots

Always wear closed-toe, over-the-ankle boots. Sturdy over-the-ankle boots with non-slip soles offer more protection, and allow you to plant your foot properly on the foot pegs. Avoid long shoelaces that could get tangled in the vehicle components. For winter riding conditions, rubber-soled boots with either nylon or leather uppers and removable felt liners are best suited. Avoid rubber rain boots. Rubber rain boots may get trapped behind the foot brake pedal, impairing proper operation.

Other Riding Gear

Rain Gear

When riding in rainy weather, a rain suit or a waterproof riding suit is recommended. On long rides, it is a good idea to carry rain gear. Keeping clothes dry results in being much more comfortable and alert.

Hearing Protection

Long-term exposure to wind and engine noise when riding can cause permanent hearing loss. Properly worn hearing protective devices such as earplugs can help prevent hearing loss. Check local laws before using any hearing protective devices.

OPERATOR SAFETY

Potential Hazard Warnings

WARNING

POTENTIAL HAZARD:

Operating this vehicle without proper instruction.

WHAT CAN HAPPEN:

The risk of an accident is greatly increased if the operator does not know how to operate the vehicle properly in different situations and on different types of terrain.

HOW TO AVOID THE HAZARD:

Beginning and inexperienced operators should complete a safety training course if offered by dealer. Operators should regularly practice the skills learned in the course and any operating techniques described in the owner's manual.

WARNING

POTENTIAL HAZARD:

Failure to follow the age recommendations for this vehicle.

WHAT CAN HAPPEN:

Severe injury and/or death could occur if a child under the minimum age recommendation operates this vehicle. Even though a child may be within the recommended age group for operating, he/she may not have the skills, abilities, or judgment needed to operate safely and could be susceptible to accident or injury.

HOW TO AVOID THE HAZARD:

The operator must acquire a driving license as required by local laws and regulations.

OPERATOR SAFETY

⚠️ WARNING

POTENTIAL HAZARD:

Operating this vehicle without wearing approved helmet, eye protection, and protective clothing.

WHAT CAN HAPPEN:

Operating without an approved helmet increases the risk of a severe head injury or death in the event of an accident. Operating without eye protection could result in an accident and could increase the chance of a severe eye injury in the event of an accident. Operating without protective clothing could increase the chance of a severe injury.

HOW TO AVOID THE HAZARD:

Always wear an approved helmet that fits properly. Always wear eye protection (goggles or face shield), gloves, long-sleeved shirt or jacket, long pants, and over-the-ankle boots.

⚠️ WARNING

POTENTIAL HAZARD:

Operating the vehicle after consuming alcohol or drugs.

WHAT CAN HAPPEN:

Consumption of alcohol and/or drugs could seriously affect operator judgment. Reaction time may be slower and operator balance and perception could be affected. Consumption of alcohol and/or drugs before or while operating a vehicle could result in an accident causing severe injury or death.

HOW TO AVOID THE HAZARD:

Never consume alcohol or drugs before or while operating the vehicle.



OPERATOR SAFETY

WARNING

POTENTIAL HAZARD:

Operating at excessive speeds.

WHAT CAN HAPPEN:

Excessive speed increases the operator's chance of losing control, which can result in an accident.

HOW TO AVOID THE HAZARD:

Always operate at a speed that's proper for the terrain, visibility and operating conditions, and your experience.

WARNING

POTENTIAL HAZARD:

Attempting slides, jumps, and other stunts.

WHAT CAN HAPPEN:

Attempting stunts increases the chance of an accident, including an overturn.

HOW TO AVOID THE HAZARD:

Never attempt slides, jumps, or other stunts.

OPERATOR SAFETY

WARNING

POTENTIAL HAZARD:

Failure to inspect the vehicle before operating. Failure to properly maintain the vehicle.

WHAT CAN HAPPEN:

Poor maintenance increases the possibility of an accident or equipment damage.

HOW TO AVOID THE HAZARD:

Always inspect your vehicle before each use to make sure it's in safe operating condition.

Always follow the inspection and maintenance procedures and schedules described in the owner's manual.

WARNING

POTENTIAL HAZARD:

Operating this vehicle with improper tires, or with improper or uneven tire pressure.

WHAT CAN HAPPEN:

Use of improper tires, or operation of the vehicle with improper or uneven tire pressure, could cause loss of control or an accident.

HOW TO AVOID THE HAZARD:

Always use the size and type of tires specified in the owner's manual. Always maintain proper tire pressure.

OPERATOR SAFETY

WARNING

POTENTIAL HAZARD:

Operating the vehicle with improper modifications.

WHAT CAN HAPPEN:

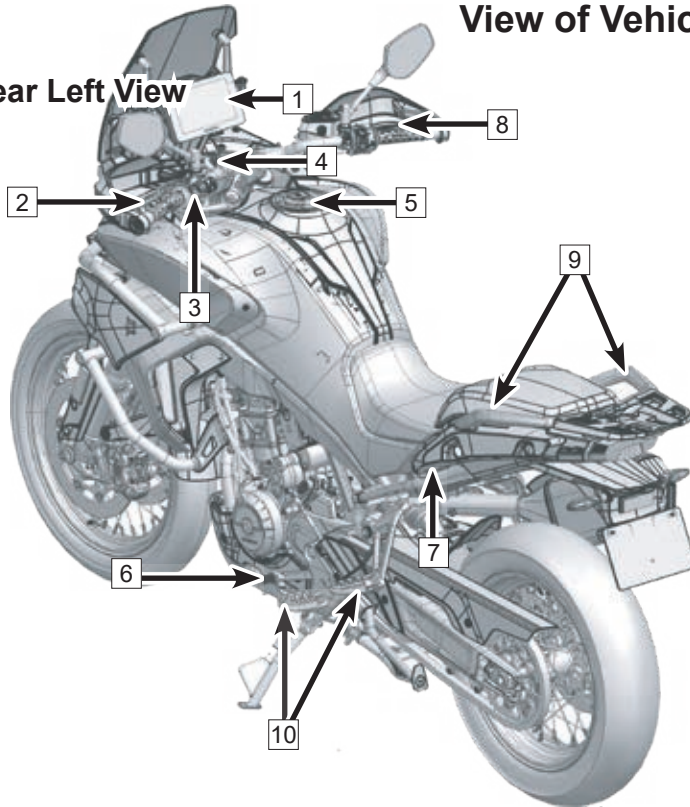
Improper installation of accessories or modification of the vehicle may cause changes in handling which could lead to an accident.

HOW TO AVOID THE HAZARD:

Never modify the vehicle through improper installation or use of accessories. All parts and accessories added to the vehicle must be genuine parts or equivalent components designed for use on this vehicle, and they should be installed and used according to approved instructions. Consult your dealer for more information.

CONTROLS & FEATURES View of Vehicle

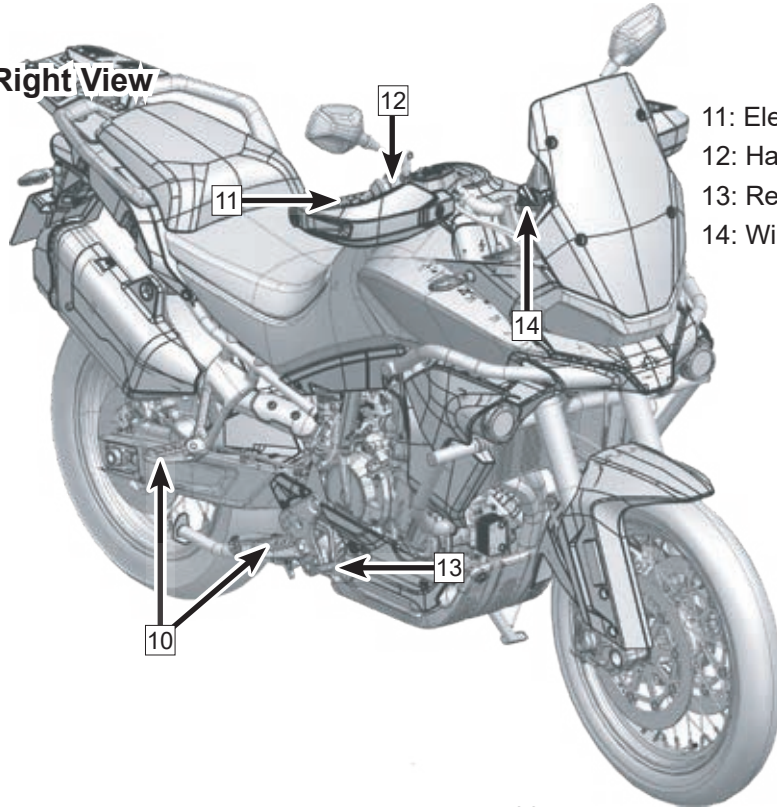
Rear Left View



- 1: Instrument
- 2: Clutch lever
- 3: Handlebar switch, LH
- 4: Ignition switch lock
- 5: Fuel tank lock
- 6: Gear shift lever
- 7: Seat lock
- 8: Front hand brake lever
- 9: Passenger handhold
- 10: Footrest kit

CONTROLS & FEATURES

Front Right View



11: Electric Throttle Handlebar

12: Handle bar switch, RH

13: Rear brake lever

14: Windshield Adjusting Knob

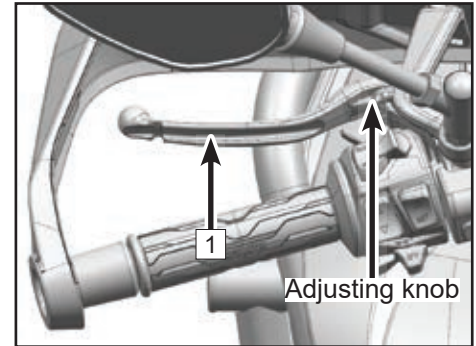
CONTROLS & FEATURES

Controls and Features

Clutch Lever

Clutch lever **1** is on the left side of handlebar. The clutch is cable-operated type.

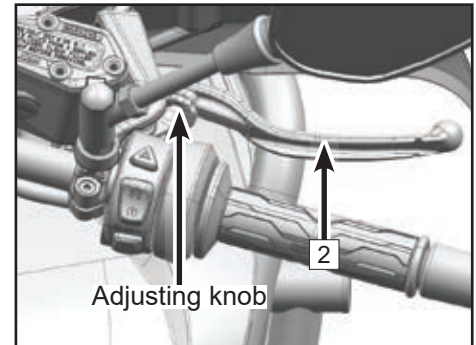
Adjust the clutch lever's distance to the handlebar by turning the clutch lever adjusting knob.



Front Hand Brake Lever

Front hand brake lever **2** is on the right side of handlebar. Front brake caliper activates braking by pulling in the hand brake lever.

Adjust the braking lever's distance to the handlebar by turning the hand brake lever adjusting knob.






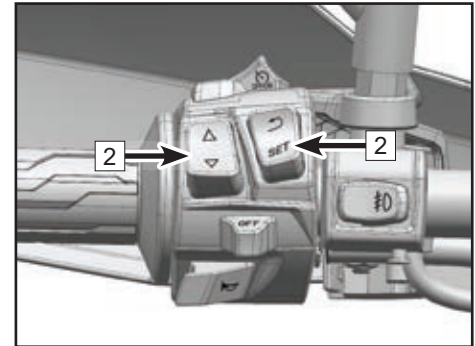
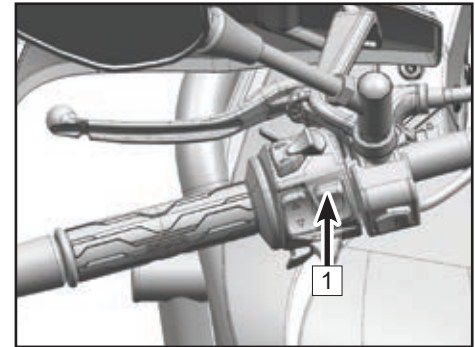
CONTROLS & FEATURES

Handlebar Switch, LH (Optional State One)








Left handlebar switch **1** is on the left side of handlebar.

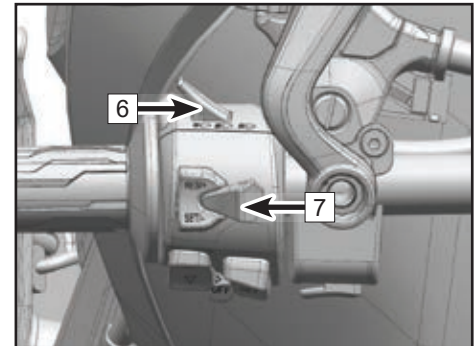
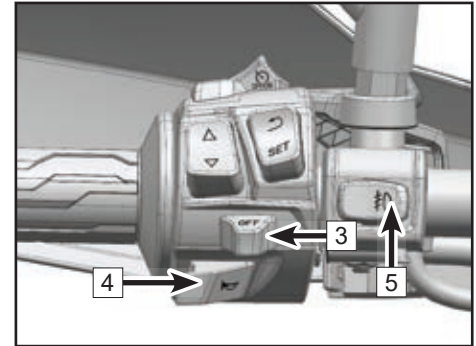
Function of left handlebar switch

2	Menu button		Short press: back to the last item. (Long press in navigation interface to return back home interface.)
			Short press: choose the upper item. Long press: return back to the first menu. (Short press to add sound volume when playing music, or long press to shift last music)
			Short press: choose the next item. Long press: Shift to the next first menu. (Short press to reduce sound volume when playing music, or long press to shift next music)
		SET	Short press to enter into menu, short press to confirm.



CONTROLS & FEATURES

3	Turning light switch		Push this switch to the right, the right turning light will activate.
			Push this switch to the left, the left turning light will activate.
4	Horn button		Short press, the horn will sound.
5	Fog light button		Short press this button, fog light will be on.
6	Dimmer push switch		Turn to this position, high beam lights on.
			Turn to this position, low beam lights on.
			Short press this button, passing light will flash.
7	Button of cruise control system	RES/+ SET/-	Please refer to the dashboard section.






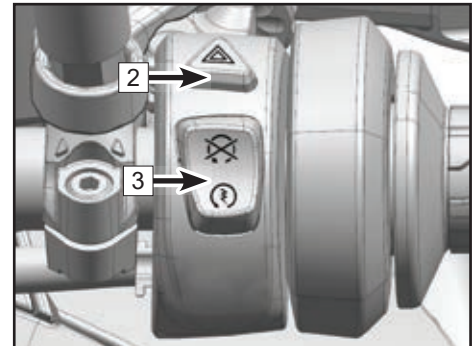
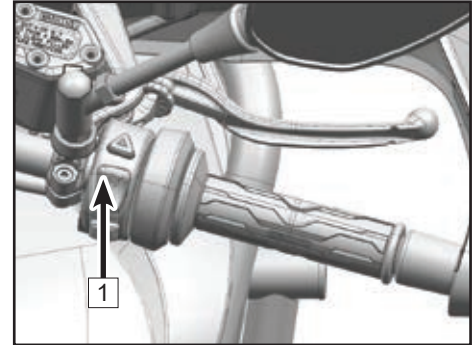
CONTROLS & FEATURES

Handlebar Switch, RH (Optional State One)

Right handlebar switch **1** is on the right side of handlebar.

Right handlebar switch function

2	Hazard flasher switch		Short press to turn on the hazard flasher light.
3	Stop switch		Turn to this position, the vehicle turns off.
			Push this button to start the vehicle.






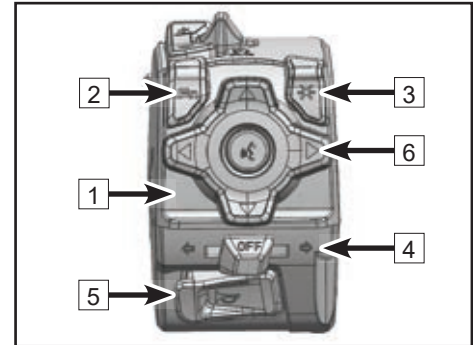
CONTROLS & FEATURES

Handlebar Switch, LH (Optional State Two)


Left handlebar switch **1** is on the left side of the handlebar.

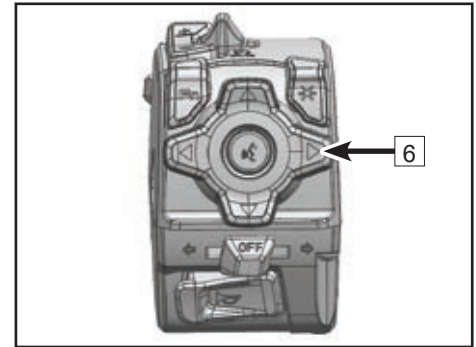
Functions of Left Handlebar Switch

2	Function button	Fn	Press it to see the cyclical menu--Fn menu; Long press it to see shortcuts.
3	User-defined button	*	Press it (according to your preference) to: Play/stop; Activate intercome function of two helmets; Long press it to enter or exit split screens.
4	Turning light switch		Push this switch to the right, the right turning light will be on.
			Push this switch to the left, the left turning light will be on.
5	Horn switch		Press and the horn will sound.






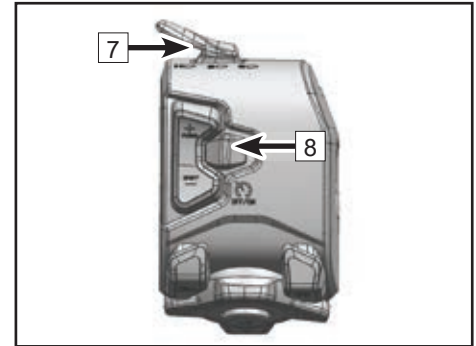
CONTROLS & FEATURES

6	Up	▲	Increase volume
	Right	▶	Generally: select the next song On the phone: hang up the phone/ cancel the dial/ refuse to answer the call; After the function menu is activated: select your choice.
	Down	▼	Decrease volume
	Left	◀	Generally: select the previous song; When there is an incoming call: answer the call; After the function menu is activated: select your choice.
	Voice control button		Activate/end voice control This function can only be used when a rider wears a bluetooth helmet.



CONTROLS & FEATURES

7	Dimmer push switch		Turn to this position, high beam light will be on.
			Turn to this position, low beam light will be on.
			Press this button, passing light will flash.
8	Cruise switch	RES/+ SET/-	See more in Instrument








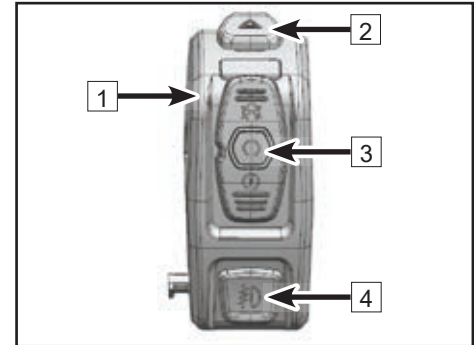
CONTROLS & FEATURES

Handlebar Switch, RH (Optional State Two)

Right handlebar switch **1** is on the right side of the handlebar.

Functions of Right Handlebar Switch

2	Hazard flasher switch		Press to turn on the hazard flasher light.
3	Start and stop switches		Turn to this position, the vehicle stops.
			Turn to this position, the vehicle is preparing for starting.
			Turn to this position, the vehicle starts.
4	Fog light switch		Press it to turn on the fog light. (It can only be used when position light is turned on.)



Caution

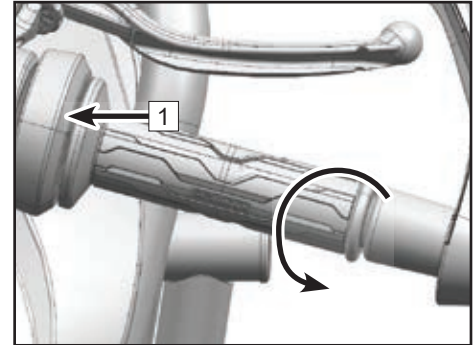
Before engine is started, please do not turn on the power for a long time. When the automatic headlight is on, electricity will be consumed and engine may not be started.

CONTROLS & FEATURES

Electronic Throttle Assy




This vehicle is equipped with an electronic throttle assembly **1**. When rotating the throttle grip, the ECU determines the optimal fuel quantity to supply by combining the information of throttle open angle, engine RPM, gear position, engine temperature and vehicle driving mode, etc.

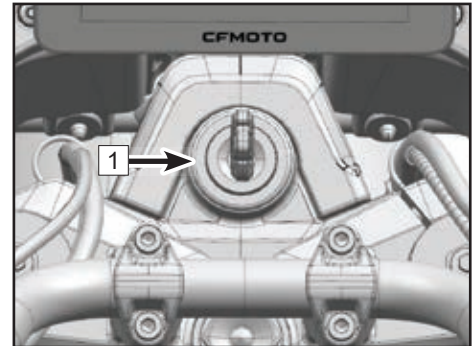
Electronic throttle offers optimal fuel economy and better throttle response for the driver.



Locks

Ignition Switch **1** (If equipped)

Handlebar lock		Turn the handlebar to the left, then turn the key to the lock indicator to lock the handlebar.
Turn off		Turn the key to this position, the engine cannot be started and the vehicle power circuit is disconnected.
Start		Turn the key to this position, the engine can be started and the vehicle power circuit is connected.



CONTROLS & FEATURES

Keyless Start System (If equipped)

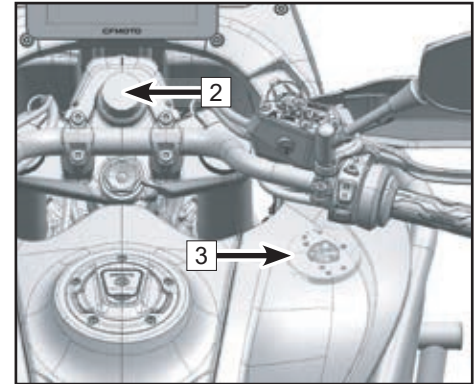
This vehicle is equipped with keyless start system.

When customer takes the key near the vehicle within 1.5m distance, short press the start button **2**, then the engine will start and all the electric circuits are connected.

If the start button cannot connect the vehicle power, put the active key or passive key on the right side position **3** of vehicle tank, then re-press the start button.

If still cannot start the vehicle, try to change the active key battery or contact your CFMOTO dealer.

Turn off the vehicle, turn left the handlebar to be the max limit, long press vehicle start button **1** to lock the handlebar.



CONTROLS & FEATURES

Active Key Battery Replacement

Push down and remove the back cover **1** of active key.

Remove the button battery cover **2**.

Replace with new button battery.

Button battery model: CR 2032 (3V)

Mount back the battery cover and active key back cover.

Active key battery replacement period: two years.



Fuel Tank Lock **1**

Follow the items below before opening the fuel tank:

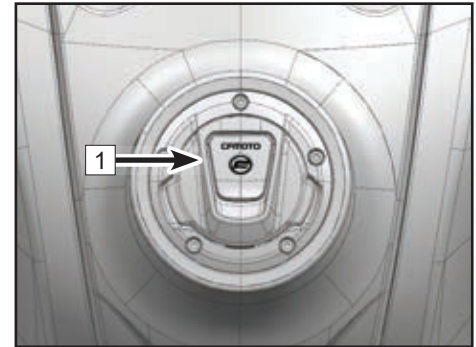
The vehicle is stopped.

Engine is off.

Open the fuel tank lock cover.

Insert the key and turn to release the lock.

Open the fuel tank cap.

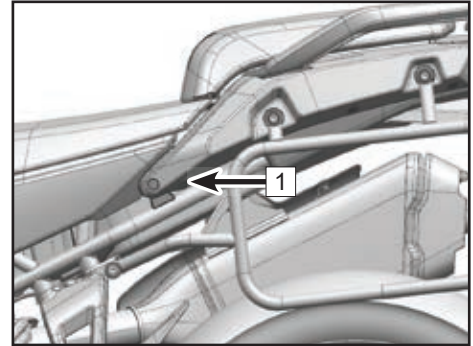


CONTROLS & FEATURES

Seat Lock 1

The seat lock is on the left side of the vehicle.

The seat can be removed by inserting the key and turning to release the lock.



CONTROLS & FEATURES

Gear Shift Lever

The gear shift lever 2 is on the left side of the engine.

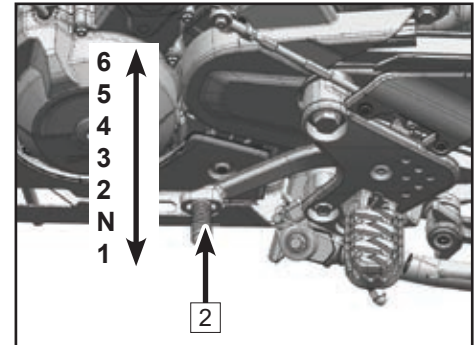
Quick Gear Shifting (If equipped)

This vehicle is equipped with quick gear shifting function. When quick gear shifting function is activated, the gear position can be shifted without operating the clutch lever, and the throttle does not need to be disengaged. The transmission can be upshifted continuously and uninterrupted.

Quick gear shifting function estimates execution of shifting operation according to the shift gear shaft position, and sends a signal to the engine control system to unload the transmission gears briefly through manipulation of the engine's EFI programming.

For optimal performance during transmission upshifts, the throttle should remain open. On transmission downshifts, the throttle should remain closed.

If the vehicle is not equipped with quick gear shifting function, or if the function is turned off, gear upshifts and downshifts must be operated with the clutch lever.

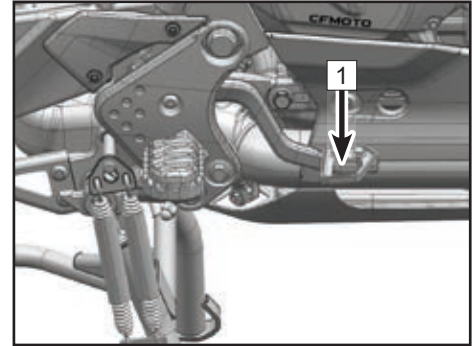


Downshift RPM	
6 th gear	→5 th gear: < 9000 rpm
5 th gear	→4 th gear: < 8750 rpm
4 th gear	→3 rd gear: < 8500 rpm
3 rd gear	→2 nd gear: < 8000 rpm
2 nd gear	→1 st gear: < 7500 rpm
Upshift RPM	
1 st gear	→2 nd gear: > 2000 rpm
2 nd gear	→3 rd gear: > 2000 rpm
3 rd gear	→4 th gear: > 2200 rpm
4 th gear	→5 th gear: > 2300 rpm
5 th gear	→6 th gear: > 2400 rpm

CONTROLS & FEATURES

Rear Brake Lever

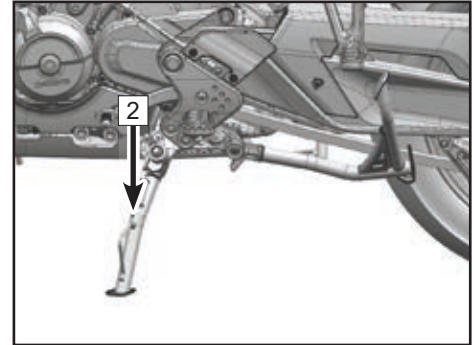
The rear brake lever **1** is on the right side of the engine. Activate the rear brake by pushing down on the rear brake lever.



Side Stand

The side stand **2** is on the left side of the vehicle, and is used for parking.

NOTE: When the side stand is down, the engine starting system only activates in neutral gear.



CONTROLS & FEATURES

Center Stand

(If equipped) The center stand, located at base of the frame, is for parking the vehicle.

Adjust the position adjusting block to keep a safe distance shown between center stand and chain to prevent the stand from contacting the chain during driving.

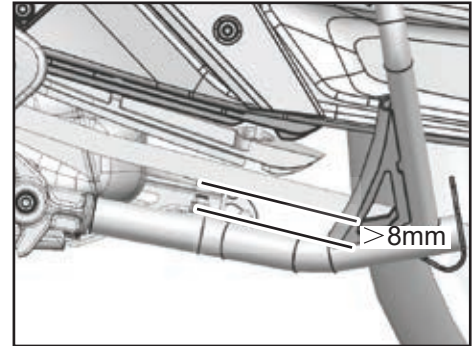
⚠ WARNING

Too close of distance between center stand and chain will lead to component wear, which can affect driving stability and safety, which could cause a serious safety incident. Inspect the distance between the center stand and chain, and adjust periodically as necessary.

Center Stand to Chain Distance Measurement:

Pull chain down to the limit and check center stand and chain distance, which should be larger than 8mm. If less than 8mm, inspect chain wear, chain tightness (for details refer to Drive Chain Inspection) and center stand position.

Inspect distance between center stand and chain every 1000km. Adjust or replace as necessary.



CONTROLS & FEATURES

Center Stand Position Adjustment:

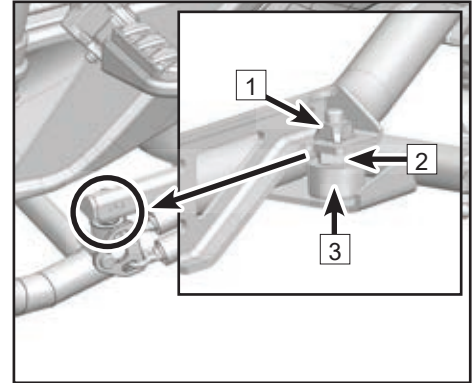
Loose center stand position block lock nut **1**.

Move center stand position block adjusting nut **2** to make the distance larger than 8mm.

Tighten center stand position block lock nut **1**.

Inspect distance between center stand and chain every 1000km.
Adjust as necessary.

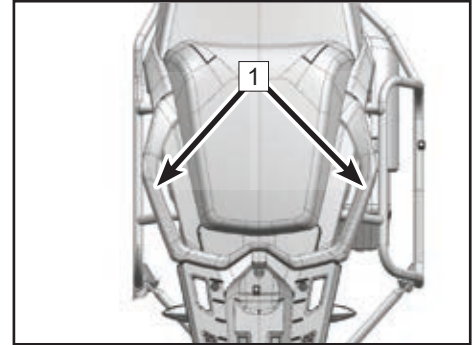
Inspect center stand rubber wear condition every 10,000km.
Replace as necessary.



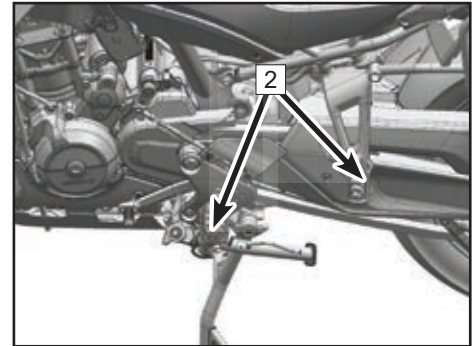
CONTROLS & FEATURES

Passenger Handhold and Footrest

A passenger handhold **1** is mounted on the motorcycle seat for passenger to hold on during riding.



Footrests **2** are mounted on the motorcycle for the operator and passenger.

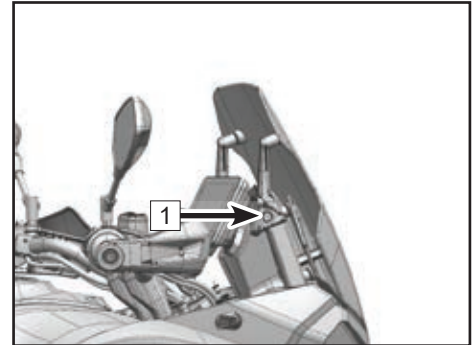


CONTROLS & FEATURES

Windshield Adjusting Knob

The windshield is adjustable by turning clockwise the windshield adjusting knobs on both sides.

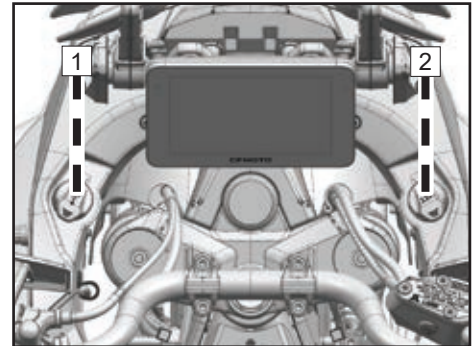
The adjustable height range: 50mm



Accessory Power Outlets

Accessory power outlets are located on both sides of the vehicle, can offer power for electric accessories.

There are two USB outlets **1** and one 12Vdc power outlet **2**.



CONTROLS & FEATURES

TFT Instrument

NOTE

Due to constant update of instrument functions, versions, and configurations, some content of the TFT instrument section may be different than the actual vehicle. Please review your vehicle. For any difference, please get the latest information from an authorized CFMOTO dealer.

Instrument

Instrument is located on the front of handlebar and there are two function areas:

1: Indicators area

2: Display area

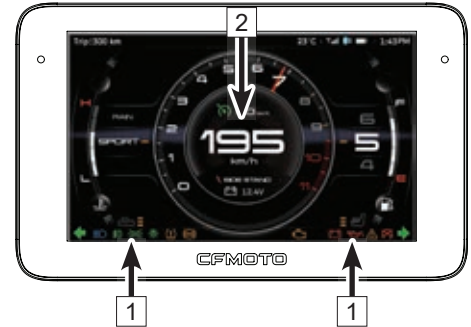
Activation and Test

Activation

The instrument activates when the vehicle power is turned on.

Test

The display area shows welcome words and indicators flash in short time for self inspection. All instrument buttons is invalid at this time until the start-up is finished.








CONTROLS & FEATURES






Instrument Indicators




CONTROLS & FEATURES

REF	Symbol	Introduction	
1		Flash	Indicator flashes when the turning light turns on.
2		On	High beam indicator will be on when high beam lamp turns on.
3		On	Fog light indicator will be on when fog light turns on.
4		On	Position light indicator will be on when position light turns on.
5		On	Tire pressure indicator (If equipped) will be on when tire pressure is abnormal, or it does not receive a sensor signal. When this indicator is on, please stop the vehicle and inspect the tire pressure and condition. If an abnormal condition is found, please contact a CFMOTO dealer for service. If tire condition appears normal, please drive at low speed, maintain the tire pressure to specification and service the tires soon. If no tire sensor signal, please stop the vehicle and contact a CFMOTO dealer for inspection.

CONTROLS & FEATURES

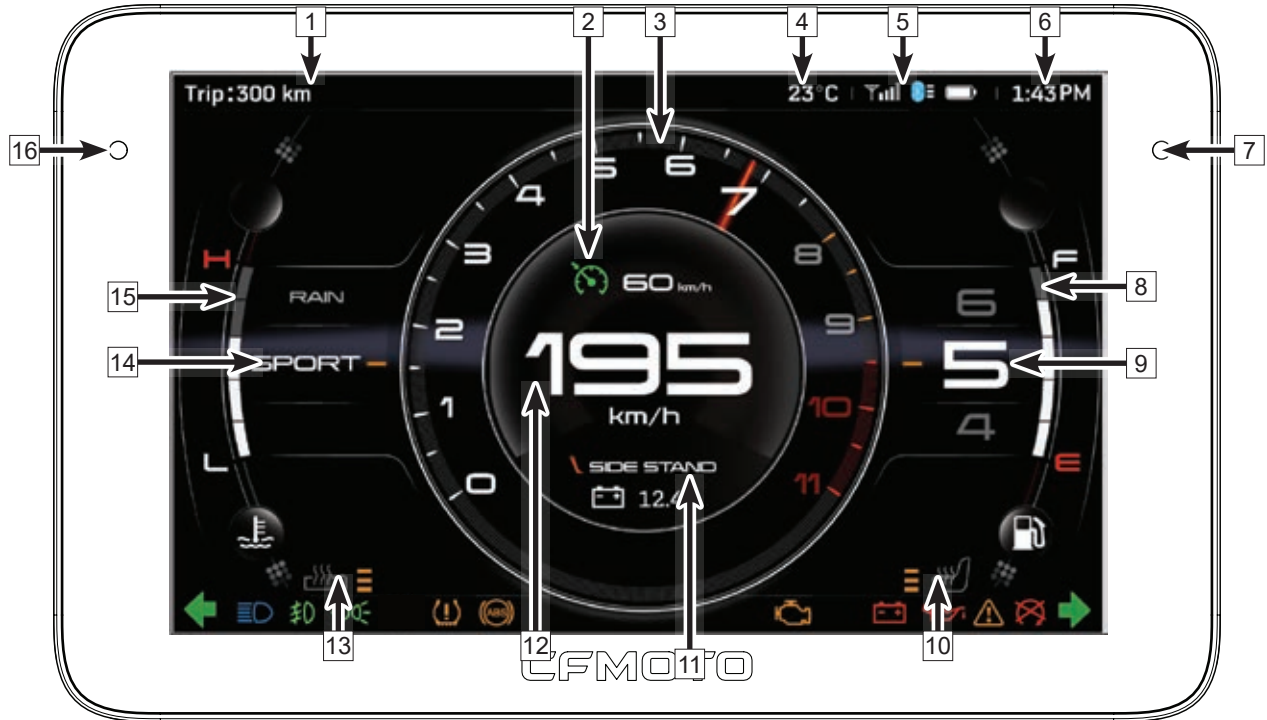
6		On	ABS indicator will be on when vehicle is in normal work, stopped or in low speed. This is normal. ABS indicator will stay on when there is ABS fault. The ABS system will stop working, but the vehicle basic braking function works. Please drive at low speeds and avoid sharp braking. Contact a CFMOTO dealer to inspect the ABS system.
7		On	When the vehicle is turned on and the engine is off, EFI fault indicator will be on. If the engine is started and the indicator is still on, it means the vehicle detects a fault, which will be displayed on the dashboard. Please stop operating vehicle if the EFI fault indicator is on and contact your CFMOTO dealer for inspection.
8		On	Charging indicator will be on when the vehicle is in low power, please charge the battery soon.
9		On	Oil pressure warning indicator will be on when engine oil pressure is very low, please fill or change the engine oil soon to avoid engine damage.
10		On	General warning indicator will be on when vehicle appears any fault. Check the detailed fault information in the home interface or in the vehicle information interface, and contact a CFMOTO dealer for inspection.

CONTROLS & FEATURES

11		On	Engine off indicator will be on when engine is off.
----	---	----	---

CONTROLS & FEATURES

Instrument Display



CONTROLS & FEATURES

1	Favorite Info1 Display	7	Photosensitive Sensor	13	Handle Grip Heater
2	Cruise Control Display	8	Fuel Level	14	Vehicle Mode
3	Tachometer	9	Gear Position	15	Coolant Temp.
4	Ambient Temp.	10	Seat Heater	16	Keyless Start Indicator
5	Blue Tooth	11	Favorite Info 2 Display / Side Stand		
6	Clock	12	Speed Display		

CONTROLS & FEATURES

Cruise Control System Display

The cruise control system consists of a toggle switch and speed adjusting button for system operation, located on the left handle bar control. The adjustable range for this cruise control system is 24.8 mph (40 km/h) to 80.8 mph (130 km/h). Once activated, the throttle control does not require manual input, and the vehicle maintains the selected speed. The largest selected speed cannot exceed 80.8 mph (130 km/h).

To activate cruise control:

- Once the vehicle is operating at the designated speed and transmission gear, toggle the control system switch to activate the cruising function.
- Short press “SET/-”, the system will set the initial target speed according to the current speed and start cruising.
- Short press ‘RES/+’ to increase the target speed by 1.2 mph (2 km/h).
- Long press of the speed adjusting button to increases or decreases the target speed continuously.

To deactivate cruise control:

- Any braking action, clutch action, or throttle action will release the cruise control system.
- If at any time the actual vehicle speed reduces to less than 24.8 mph (40 km/h), the cruise control system function releases automatically.
- Using the control toggle switch or turning off the vehicle power will shut off the cruise control completely.

CONTROLS & FEATURES

DANGER

Always turn off the cruise control system when it is not needed to avoid unintended activation.

Use an abundance of caution driving when adjusting vehicle speed using the speed adjusting button.

Do not use the cruise control system when traffic is busy, in sharp turns, on winding roads, wet or slippery road surfaces, ice or snow covered road surfaces, steep hills, or hilly roads. It may lead to an out of control vehicle and an accident.

The operator is the main controller of the vehicle, with priority of control over the cruise control system. When the vehicle is in cruise control system mode, the operator can quickly regain control at any time by using the brake, clutch, or throttle operation.

Cruise control is only an auxiliary system to help reduce operating fatigue. Do not rely on its function to compensate for your driving abilities, and be extremely cautious while driving in this mode.

CONTROLS & FEATURES

Favorite Info 1 Display

Select one item from the menu to display in this area.

Select information 1: Trip 1, Trip 2, Total odometer.

ODO:999999km

TRIP1:999.9km

TRIP2:999.9km

Tachometer

Engine RPM unit is 1000 r/min.

Please avoid high engine RPM during break-in period.

To increase the engine life, do not operate with engine RPM in the red area.

Do not operate the vehicle at high RPM until after the engine is warm.

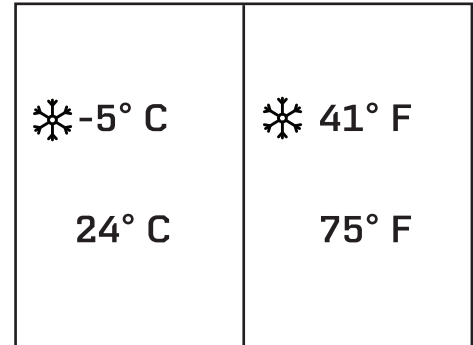


CONTROLS & FEATURES

Ambient Temperature Display (If equipped)

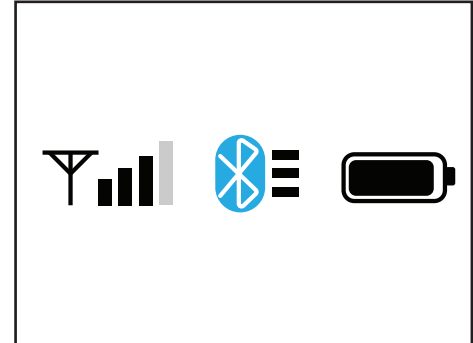
Display the current ambient temperature. It can be shift between degrees Celsius and Fahrenheit.

The ice warning will be on when ambient temperature is below 41°F (-5°C) for long time and there is an increased risk of ice on roads.



Bluetooth

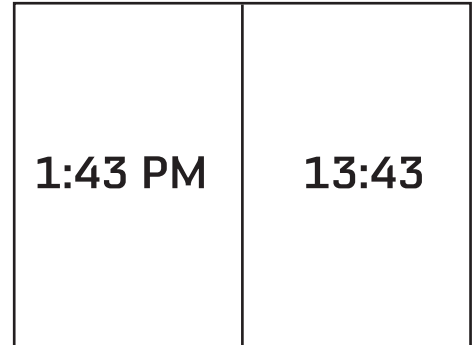
Bluetooth connects devices such as cellphone and helmet. When cellphone is paired with the instrument, this area will display the bluetooth symbol, cellphone signal strength, and cellphone battery gauge. The navigation, music, and call-in function can be used only when the cellphone is paired with the vehicle.



CONTROLS & FEATURES

Clock

Displays the current time. The time is adjustable and can be shifted between 12-hour and 24-hour modes.



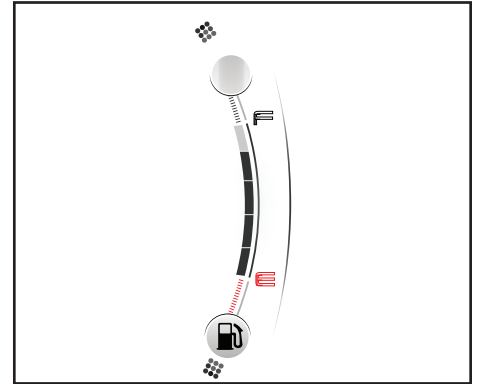
Photosensitive Sensor

When the dashboard is set to automatic brightness, it will adjust the brightness automatically according to ambient light.

CONTROLS & FEATURES

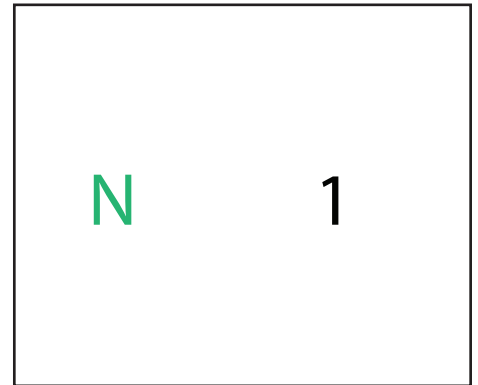
Fuel Level

The fuel level display consists of bars, The more bars that are displayed, the more fuel is in the fuel tank. If the fuel level displays in red and the fuel gauge symbol is flashing, it means the fuel level is very low. Arrange your travel to refill fuel soon. Operating with low fuel quantity may lead to overheating of the fuel pump electric motor, and is not recommended.



Gear Position

Display the current gear position. Neutral position is displayed in green color.



CONTROLS & FEATURES

Seat Heater (If equipped)

Turn on and control seat heater function from the instrument. The seat heater display area will display the selected heating level.

WARNING

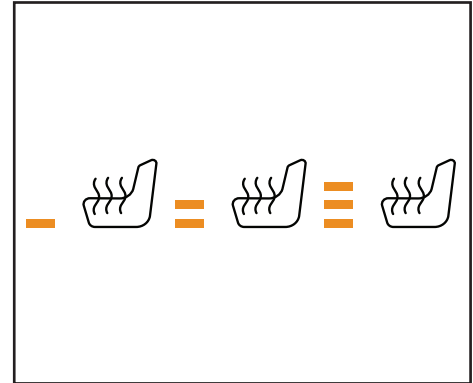
In order to avoid battery loss, do not operate the handlebar and seat heaters for more than 10 minutes at idling speed to prevent the battery from being unable to start the engine.

Favorite Info 2 Display / Side Stand Indicator

When vehicle side stand is folded out, side stand indicator will be on and vehicle cannot be started in gear.

When vehicle side stand is folded up, this area will show favorite info 2, and one item can be selected to display here.

Favorite info 2: Remainder trip, voltage, instantaneous fuel consumption, trip 1 travel time, trip 1 average fuel consumption, trip 1 average speed, trip 2 travel time, trip 2 average fuel consumption, trip 2 average speed, total odometer travel time, total odometer average fuel consumption, total odometer average speed.



CONTROLS & FEATURES

Speed Display

Displays the current vehicle speed.

Speed unit can be shifted between km/h and mph by menu operation.

195 km/h	121 mph
-------------	------------

CONTROLS & FEATURES

Handle Grip Heater (If equipped)

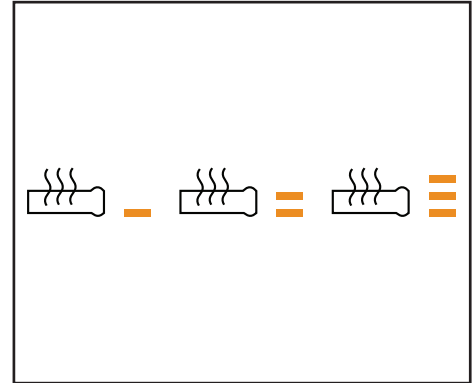
Turn on and control the handle grip heater function from the instrument. The handle grip heater display area will display the selected heating level.

WARNING

In order to avoid battery loss, do not operate the handlebar and seat heaters for more than 10 minutes at idling speed to prevent the battery from being unable to start the engine.

Vehicle Mode

The vehicle can shift between sport mode and rain mode to meet different driving conditions.



CONTROLS & FEATURES

Coolant Temperature

The coolant temperature indicator consists of bars. The more bars that light up, the hotter the coolant. If the indicator is totally red and flashing, it means the coolant temperature has reached the danger limit of higher than 239°F (115°C).

WARNING

Overheating could lead to engine damage.

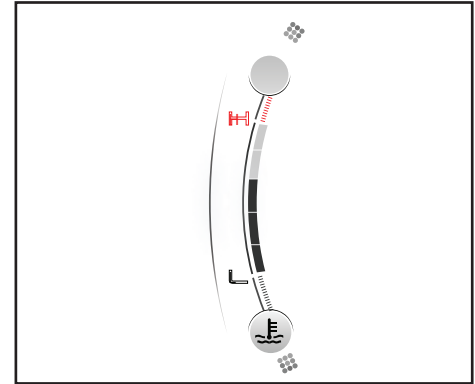
When coolant temperature reaches the top limit, please stop well the vehicle to wait for cooling down.

Check and correct the coolant level when coolant system is totally cooled down.

If the coolant temperature often reaches to the danger top limit during normal driving condition, please contact your CFMOTO authorized dealer for service.

Keyless Start Indicator (If equipped)

This indicator will flash when keyless starting system cannot be used, please contact your CFMOTO authorized dealer for service.



Flash Times	Possible causes
2	No response from transponder / Key is not in place.
3	Battery voltage < 8.5V
4	Locking tongue is blocked (failure to open or lock up).
5	The harness of low frequency antenna is damaged.

CONTROLS & FEATURES




Instrument Menu

Adjust the instrument setting for better driving experience according to the menu.

Operate the left handlebar switch menu buttons to enter into instrument menu.

⚠ WARNING	
Instrument menu can be entered in only when the vehicle is stopped and safety.	

Menu buttons are located on the left handlebar switch, used for operating related instrument function.

2	Menu button		Short press: back to the last item.(Long press in navigation interface to return back home interface.)
			Short press: choose the upper item. Long press: return back to the first menu.(Short press to add sound volume when playing music, or long press to shift last music)
			Short press: choose the next item. Long press: Shift to the next first menu. (Short press to reduce sound volume when playing music, or long press to shift next music)
		SET	Short press to enter into menu, short press to confirm.



CONTROLS & FEATURES

Instrument Settings

In the instrument setting list, customer could adjust and set for the following items:

Riding Mode

Handle Grip Heater

Seat Heater

Paired Devices

Favorite Info

Trip Reset

Brightness

Units

Time

语言选择 /Language

Factory Reset



CONTROLS & FEATURES

Riding Mode

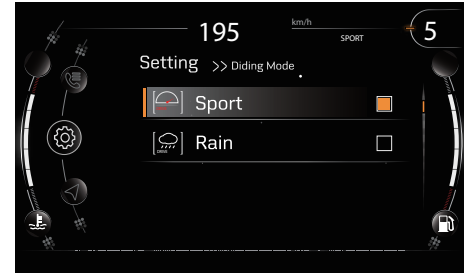
This vehicle offers two kinds of riding modes for different road conditions and different driving abilities, helping to optimize the driving experience or for navigating different terrain.

Short press button "SET" to enter into the menu.

Long press button "▲" or "▼" to enter into setting interface.

Short press button "▲" or "▼" to select riding mode, short press button "SET" to enter into the Riding Mode.

Short press button "▲" or "▼" to select the desired riding mode, short press button "SET" to confirm shifting the riding mode.



CONTROLS & FEATURES

Handle Grip Heater (If equipped)

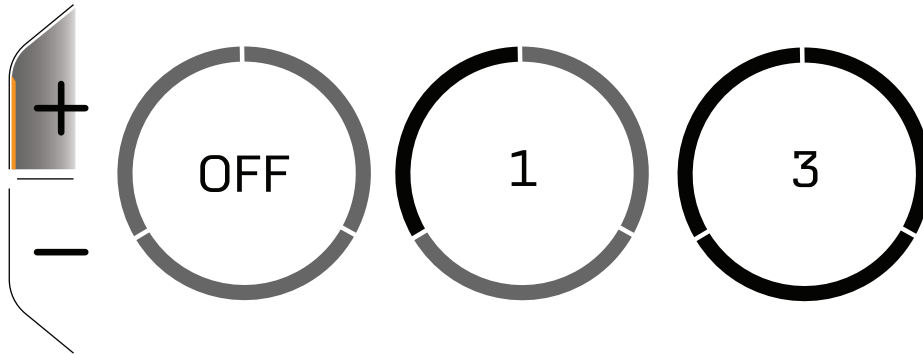
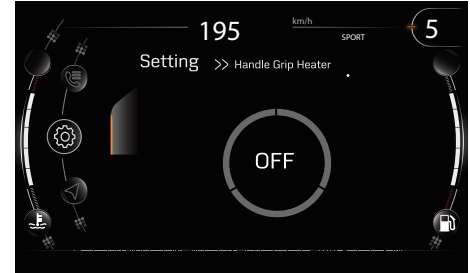
The handle grip heater function offers three heating levels for better driving comfort in low ambient temperatures. Upshift or downshift the amount of heat as required to improve driving comfort.

Short press button “SET” to enter into the menu.

Long press button “▲” or “▼” to enter into setting interface.

Short press button “▲” or “▼” to select handle grip heater, short press button “SET” to enter into handle grip heater menu.

Short press button “▲” or “▼” to select heating level. Short press button “SET” to confirm.



CONTROLS & FEATURES

Seat Heater (If equipped)

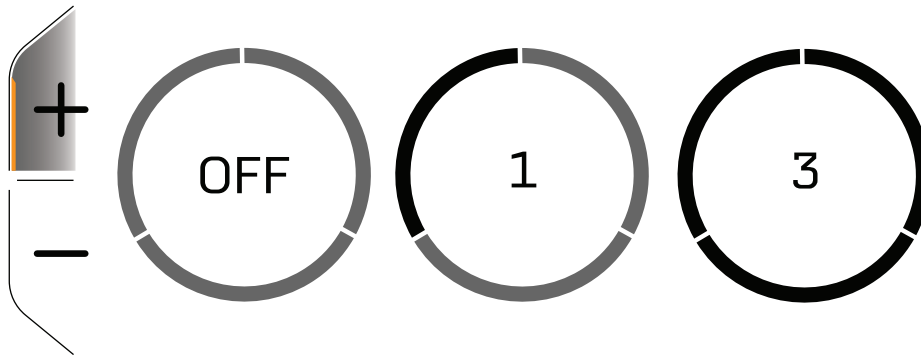
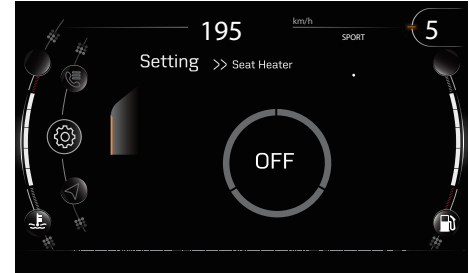
The seat heater function offers three heating levels for better driving comfort in low ambient temperatures. Upshift or downshift the amount of heat as required to improve driving comfort.

Short press button “SET” to enter into the menu.

Long press button “▲” or “▼” to enter into setting interface.

Short press button “▲” or “▼” to select seat heater, then short press button “SET” to enter into seat heater menu.

Short press button “▲” or “▼” to select heating level, short press button “SET” to confirm.



CONTROLS & FEATURES

Paired Devices

Pair a smart phone and helmet to the instrument by bluetooth, then navigation, calling, and music function can be used.

Following the below steps to pair a smart phone via bluetooth:

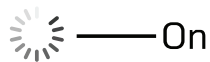
Short press button “SET” to enter into the menu.

Long press button “▲” or “▼” to enter into setting interface.

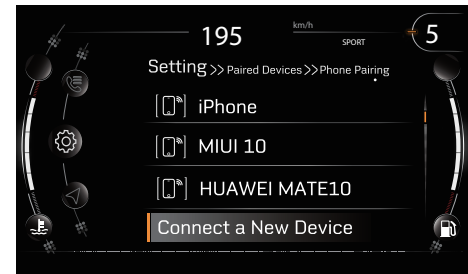
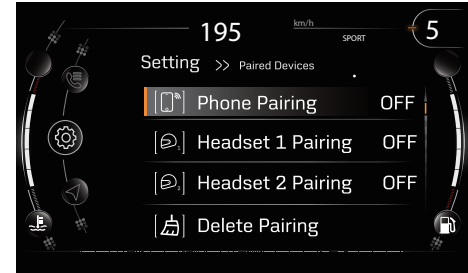
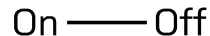
Short press button “▲” or “▼” to select device pairing, short press button “SET” to enter into device pairing menu.

Short press button “▲” or “▼” to select smart phone bluetooth, press button “SET” to open smart phone bluetooth.

Make sure the bluetooth function of smart phone is opened. Short press button “▲” or “▼” to select your smart phone, then press button “SET” to pair.



Short press button “▲” or “▼” to select the paired smart phone, press button “SET” to disconnect the pairing.



CONTROLS & FEATURES

Following the steps to pair with helmet bluetooth:

Short press button “SET” to enter into the menu.

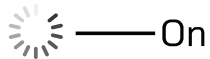
Long press button “▲” or “▼” to enter into setting interface.

Short press button “▲” or “▼” to select “Paired Devices”, short press button “SET” to open the paired devices list.

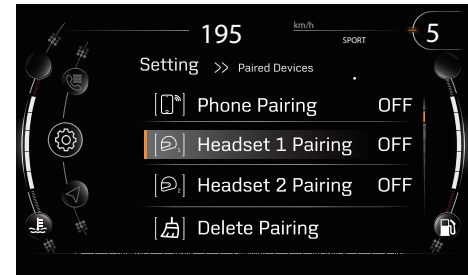
Short press button “▲” or “▼” to select helmet 1 or helmet 2.

Make sure the helmet bluetooth is already opened.

Press button “SET” to pair the device.



Short press button “▲” or “▼” to select the paired helmet, press button “SET” to disconnect the pairing.



CONTROLS & FEATURES

Favorite Info

Select one item to display in the main interface from both Info 1 and Info 2.

Short press button “SET” to enter into the menu.

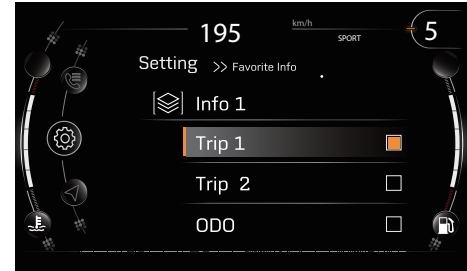
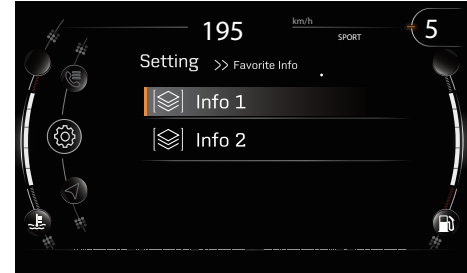
Long press button “▲” or “▼” to enter into the setting interface.

Short press button “▲” or “▼” to select the favorite info, short press button “SET” to enter into “Favorite Info”.

Short press button “▲” or “▼” to select info 1, short press button “SET” to enter into info 1.

Short press button “▲” or “▼” to select the items that plan to show in the home interface, press button “SET” to confirm the selecting.

Info 1: Trip 1, Trip 2, ODO.



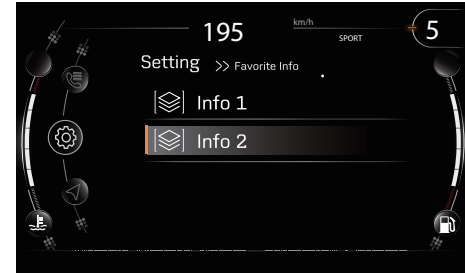
CONTROLS & FEATURES

Short press button “SET” to enter into the menu.

Long press button “▲” or “▼” to enter into setting interface.

Short press button “▲” or “▼” to select desired favorite information, short press button “SET” to enter into “Favorite Info”.

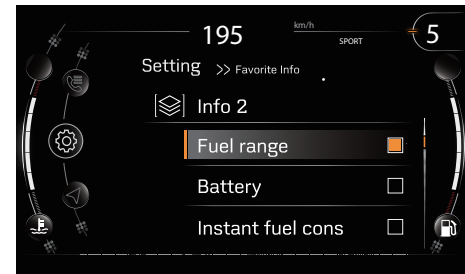
Short press button “▲” or “▼” to select info 2, short press button “SET” to enter into info 2.



Short press button “▲” or “▼” to select the items that plan to show in the home interface, press button “SET” to confirm the selecting.

Info 2: fuel range, battery, Instant fuel cons,

It displays the following items according to the selection of favorite info 1	Trip Time1, Trip Cons1, Trip Speed1
	Trip Time2, Trip Cons2, Trip Speed2
	ODO Elapsed Time, ODO Average Cons, ODO Average Speed



CONTROLS & FEATURES

Trip Reset

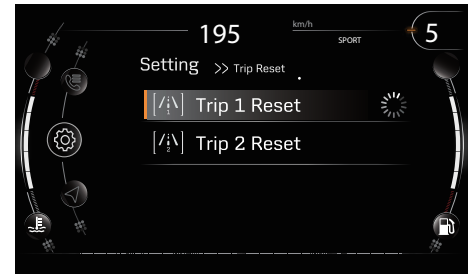
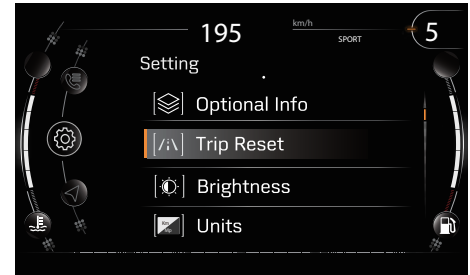
Reset trip data by manual.

Short press button “SET” to enter into the menu.

Long press button “▲” or “▼” to enter into setting interface.

Short press button “▲” or “▼” to select the trip reset and short press button “SET” to enter into trip reset item.

Short press button “▲” or “▼” to select the desired trip reset and short press button “SET” to reset the trip.



CONTROLS & FEATURES

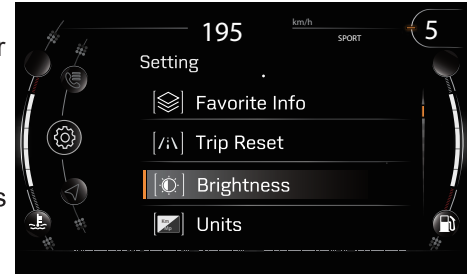
Brightness

The dashboard brightness can be adjusted manually, or automatically according to ambient light sensing.

Short press button “SET” to enter into the menu.

Long press button “▲” or “▼” to enter into the setting interface.

Short press button “▲” or “▼” to select the brightness, press button “SET” to open the brightness menu.



CONTROLS & FEATURES

Units

The units for speed, time and temperature can be shifted according to the rider's viewing habits.

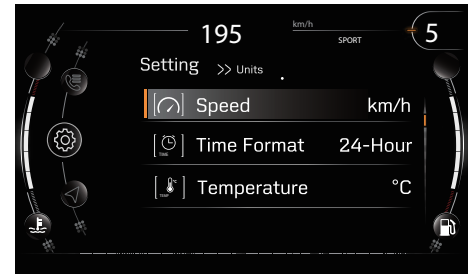
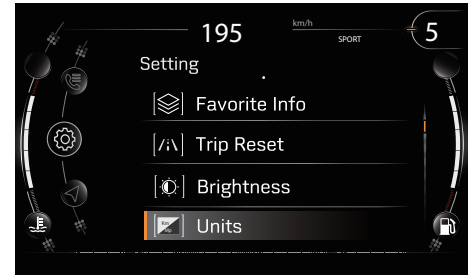
Short press button “SET” to enter into the menu.

Long press button “▲” or “▼” to enter into setting interface.

Short press button “▲” or “▼” to select units, short press button “SET” to enter into units.

Short press button “▲” or “▼” to select the desired setting unit, press button “SET” to shift the unit format.

km/h.....mph
24-Hour.....12-Hour
°C.....°F



CONTROLS & FEATURES

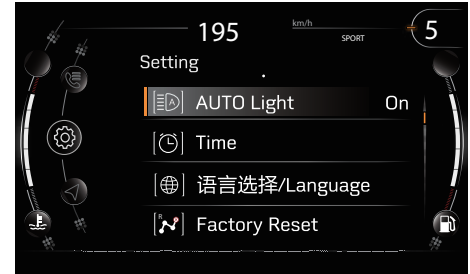
AUTO Light (If equipped)

When automatic headlight function is activated, headlight will activate the low beam or high beam automatically according to the ambient light.

Short press button “SET” to enter into the menu.

Long press button “▲” or “▼” to enter into setting interface.

Short press button “▲” or “▼” to select AUTO light, press button “SET” to turn on or turn off automatic headlight.



CONTROLS & FEATURES

Time

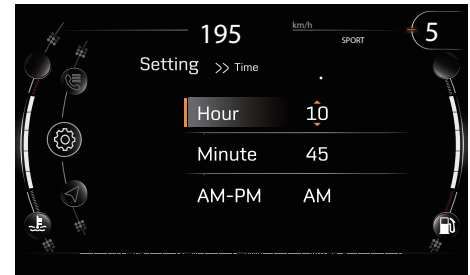
Adjust the time setting.

Short press button “SET” to enter into the menu.

Long press button “▲” or “▼” to enter into setting interface.

Short press button “▲” or “▼” to select time, short press button “SET” to enter into time.

Short press button “SET” to select Hour, Minute or AM-PM, short press button “▲” or “▼” to adjust the time, press ↶ to return to previous menu.



CONTROLS & FEATURES

Language

Shift the dashboard language between Chinese and English.

Short press button “SET” to enter into the menu.

Long press button “▲” or “▼” to enter into setting interface.

Short press button “▲” or “▼” to select language, short press button “SET” to open language.

Short press button “▲” or “▼” to select desired language, press button “SET” to confirm it.



CONTROLS & FEATURES

Factory Reset

Factory reset restores settings back to factory status.

NOTE

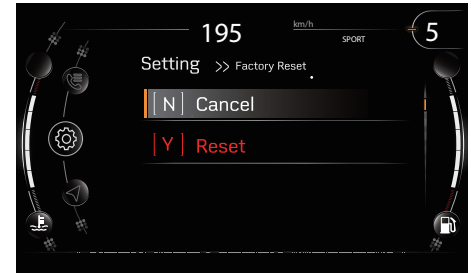
This function will not reset the odometer and related function.

Short press button “SET” to enter into the menu.

Long press button “▲” or “▼” to enter into setting interface.

Short press button “▲” or “▼” to select factory reset, short press button “SET” to enter into factory reset.

Short press button “▲” or “▼” to select [Y] Reset, press button “SET” to reset back to the factory status.



CONTROLS & FEATURES

Vehicle Information

Riders can check the following content in the vehicle information menu:

Basic Info

Miles Info

Warning

Version Info

Service

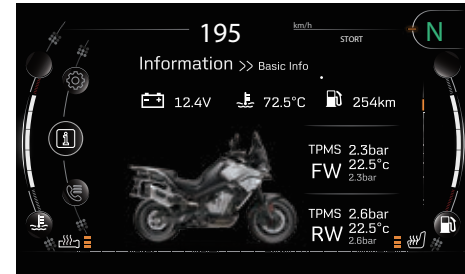
Basic Info (If equipped)

In the Basic Info interface, the rider can check voltage, coolant temperature, remaining distance, tire pressure and tire temperature, etc.

Short press button “SET” to enter into the menu.

Long press button “▲” or “▼” to select information.

Short press button “▲” or “▼” to enter into Basic Info interface.



WARNING

The tire pressure displayed represents the real-time tire pressure when the display is selected, which may not be the same as the inflated tire pressure set when it is cool. Because the temperature of the tire becomes higher during riding, this causes the air in the tire to expand and the pressure to increase. When adjusting tire pressure, a tire pressure gauge should be used for testing. It is not recommended to rely on the value displayed by the meter.

CONTROLS & FEATURES

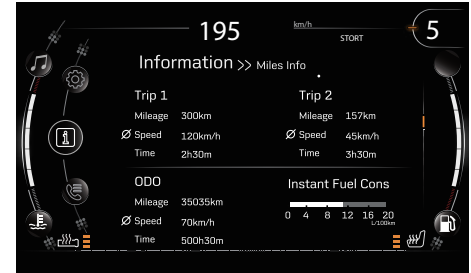
Miles Info

Riders can check travel information in Miles Info including mileage/Speed/Time of Trip1, Trip2, and ODO respectively, and instant fuel consumption.

Short press button “SET” to enter into the menu.

Long press button “▲” or “▼” to select information interface.

Short press button “▲” or “▼” to enter into Miles Info interface.



Warning

Riders can check for current malfunction content or fault warning generated by the vehicle inspecting system. Please contact a authorized CFMOTO dealer for service that will clear the malfunction as soon as it appears.

Short press button “SET” to enter into the menu.

Long press button “▲” or “▼” to select information interface.

Short press button “▲” or “▼” to enter into Warning interface.

CONTROLS & FEATURES

Version Info

Checks the current vehicle software and hardware version number in the version information interface.

Short press button “SET” to enter into the menu.

Long press button “▲” or “▼” to select information interface.

Short press button “▲” or “▼” to enter into Version Info interface.

Service

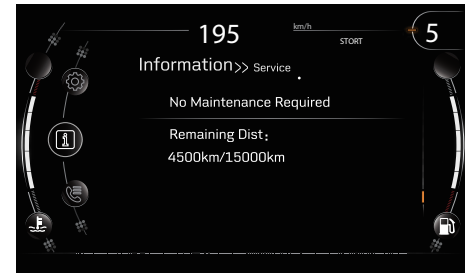
Checks the current vehicle maintenance interval information. When the maintenance interval has arrived, the instrument will display a reminder to service the vehicle.

Short press button “SET” to enter into the menu.

Long press button “▲” or “▼” to select information interface.

Short press button “▲” or “▼” to enter into service interface.

The first maintenance interval is 1000km, with a recurring maintenance interval reminder every 15000Km.



CONTROLS & FEATURES

Telephone

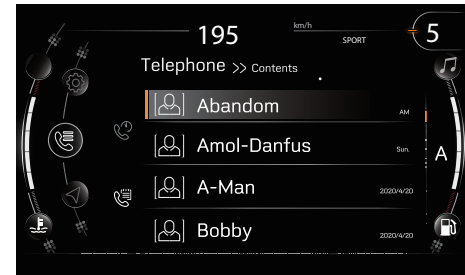
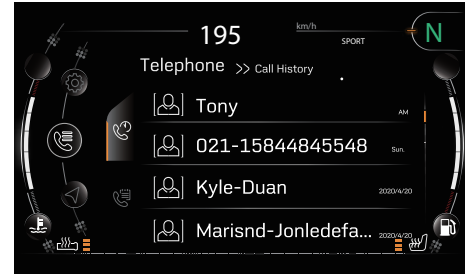
Customer can check the call history, contacts, and dial out calls.

Short press button “SET” to enter into the menu.

Long press button “▲” or “▼” to enter into telephone.


Short press button “▲” or “▼” to select call history or contacts, short press button “SET” to confirm.

Short press button “▲” or “▼” to select the person in the contacts, short press button “SET” to dial out the call.



CONTROLS & FEATURES

When there comes a call during driving, short press button “SET” to accept the call.

Short press button  to ring off the call and back to last interface.

WARNING

Avoid operating the vehicle while using the call feature. Always stop the vehicle before answering a call. Distracted driving can result in an accident causing serious injury or death.



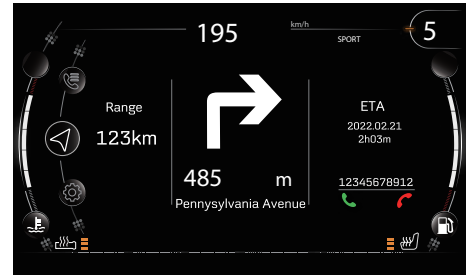
CONTROLS & FEATURES

Navigation

Open the CFMOTO RIDE APP in your cellphone and connect the cellphone to the instrument via bluetooth, then navigation function is available.

Short press button “SET” to enter into the menu.

Long press “▲” or “▼” to select navigation.



CONTROLS & FEATURES

Music

Play music from a cellphone via the bluetooth function, and operate in the instrument for functions of last song, next song and volume adjusting, etc.

When playing music, short press button “▲” to increase the volume, long press button “▲” to shift to the last song.

When playing music, short press button “▼” to reduce the volume, long press button “▼” to shift to the next song.

Long press ↶ to exit music.



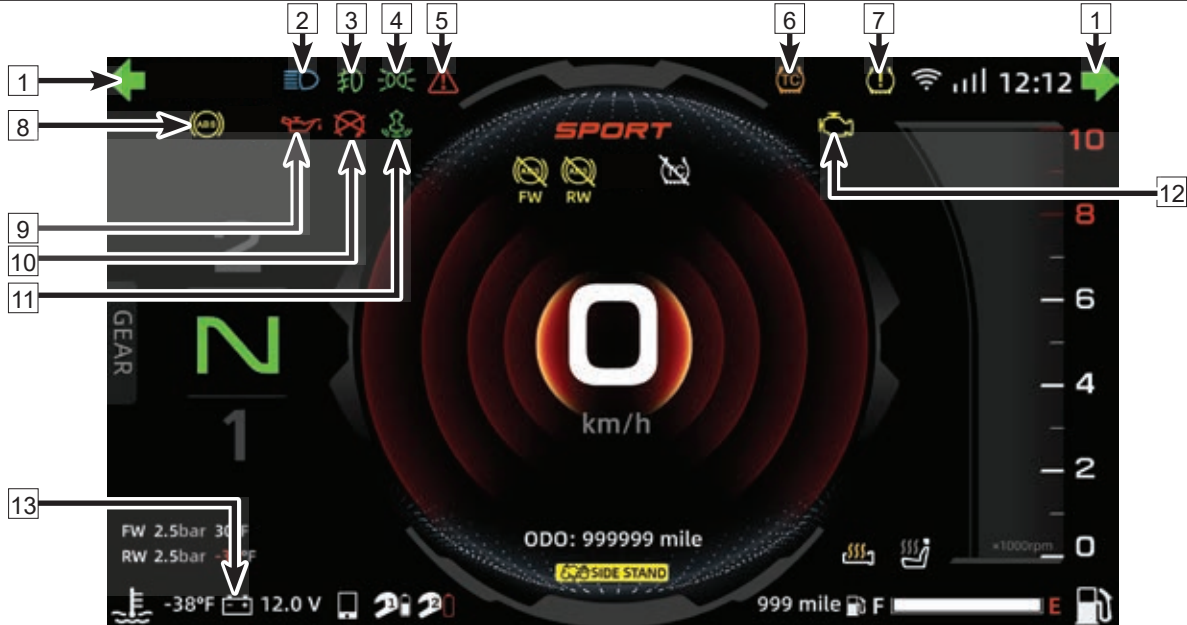
⚠ WARNING

Avoid operating the vehicle while using the music feature. Distracted driving can result in an accident causing serious injury or death.







OPERATING YOUR VEHICLE MMI Instrument (If equipped)

Note





With function adjustment and version updates of the instrument and renewed vehicle configurations, some contents of the instrument may change, please selectively refer to this chapter according to your vehicle.






OPERATING YOUR VEHICLE

Number	Symbol	Introduction	
1		Turning signal indicator	Turning signal indicators flashes when the turning light turns on.
2		High beam indicator	High beam indicator will be on when high beam light turns on.
3		Fog light indicator	Fog light indicator will be on when fog light turns on.
4		Position light indicator	Position light indicator will be on when the position light turns on.
5		General warning indicator	General warning indicator will be on when vehicle has any fault. Check the detailed fault information in the home interface or in the vehicle information interface, and contact a CFMOTO dealer for inspection.
6		TC indicator	(If equipped) When MTC works normally and the vehicle is stopped or running in a low speed, MTC indicator will flash, which is a normal phenomenon. When MTC indicator flashes, it means that MTC function is activated and it is adjusting the vehicle's state. When MTC has any fault, MTC indicator is on, please contact a CFMOTO dealer for inspection.

OPERATING YOUR VEHICLE

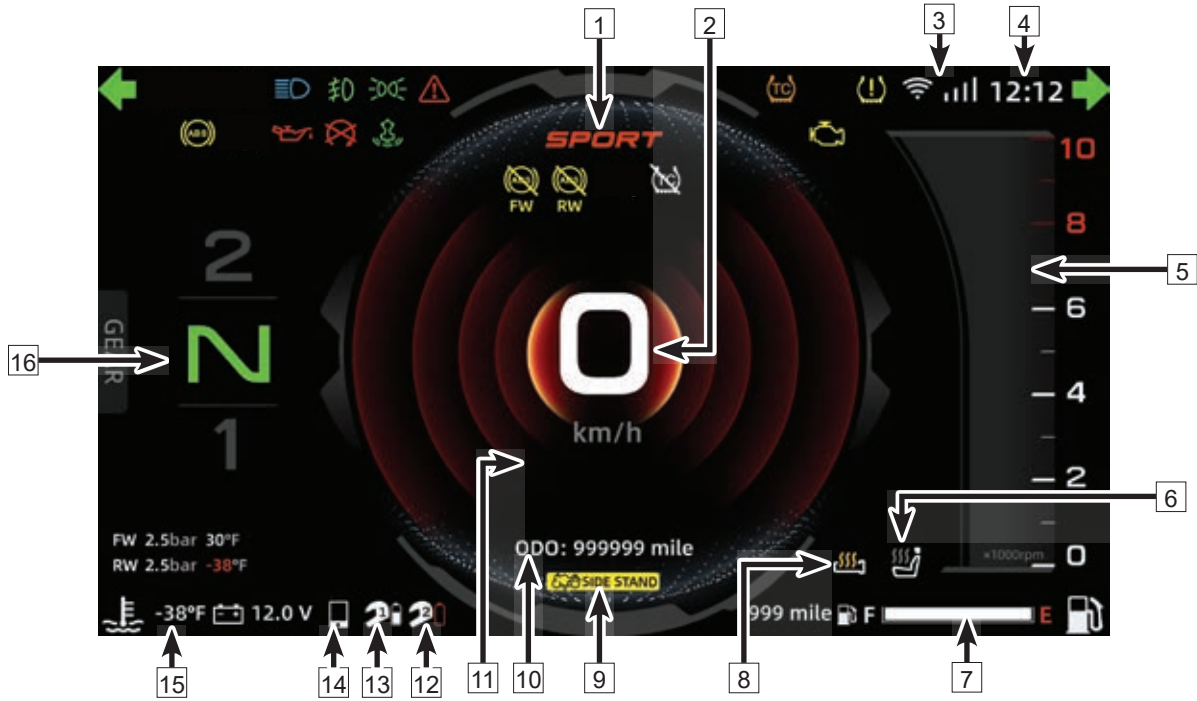
7		Tire pressure indicator	Tire pressure indicator (If equipped) will be on when tire pressure is abnormal, or it does not receive a sensor signal. When this indicator is on, please stop the vehicle according to local regulations and inspect tire pressure and condition. If an abnormal condition is found, please contact a CFMOTO dealer for service. If tire condition appears normal, please drive at low speed, maintain the tire pressure to specification and service the tires soon. If there is no tire sensor signal, please stop the vehicle and contact a CFMOTO dealer for inspection.
8		ABS indicator	ABS indicator will be on when vehicle is in normal work, stopped or in low speed. This is normal. ABS indicator will stay on when there is ABS fault. The ABS system will stop working, but the vehicle basic braking function works. Please drive at low speeds and avoid sharp braking. Contact a CFMOTO dealer to inspect the ABS system.
9		Oil pressure indicator	Oil pressure warning indicator will be on when engine oil pressure is very low, please fill or change the engine oil soon to avoid engine damage.
10		Engine off indicator	Engine off indicator will be on when engine is off.

OPERATING YOUR VEHICLE

11		Radar indicator	When radar function is enabled, this indicator turns green. And if radar function has any fault, the indicator turns red.
12		EFI fault indicator	When the vehicle is turned on and the engine is off, EFI fault indicator will be on. If the engine is started and the indicator is still on, it means the vehicle detects a fault, which will be displayed on the dashboard. Please stop operating vehicle if the EFI fault indicator is on and contact your CFMOTO dealer for inspection.
13		Charging indicator	Charging indicator will be on when the vehicle is in low power, please charge the battery soon.

OPERATING YOUR VEHICLE

Instrument Display



OPERATING YOUR VEHICLE

1	Vehicle Mode	7	Seat Heater	13	Rider helmet connection
2	Speed Display	8	Handle Grip Heater	14	Phone connection
3	WIFI connection/signal	9	Side stand	15	Coolant Temp.
4	Clock	10	ODO	16	Gear Position
5	Tachometer	11	Cruise Control Display		
6	Fuel Level	12	Passenger helmet connection		

OPERATING YOUR VEHICLE

Navigation



OPERATING YOUR VEHICLE

1	Route	7	Road condition	13	Voice Control
2	To home	8	Navigation page performance	14	Navigation
3	To company	9	Vehicle' s head direction	15	Multi-media
4	To petrol station	10	Zoom in	16	Call
5	Climate	11	Zoom out	17	Settings
6	Signal strength	12	APP		

OPERATING YOUR VEHICLE

Cruise Control System Display

The cruise control system consists of a toggle switch and speed adjusting button for system operation, located on the left handle bar control. The adjustable range for this cruise control system is 24.8 mph (40 km/h) to 80.8 mph (130 km/h). Once activated, the throttle control does not require manual input, and the vehicle maintains the selected speed. The largest selected speed cannot exceed 80.8 mph (130 km/h).

To activate cruise control:

- Once the vehicle is operating at the designated speed and transmission gear, toggle the control system switch to activate the cruising function.
- Short press “SET/-”, the system will set the initial target speed according to the current speed and start cruising.
- Short press ‘RES/+’ to increase the target speed by 1.2 mph (2 km/h).
- Long press of the speed adjusting button to increases or decreases the target speed continuously.

To deactivate cruise control:

- Any braking action, clutch action, or throttle action will release the cruise control system.
- If at any time the actual vehicle speed reduces to less than 24.8 mph (40 km/h), the cruise control system function releases automatically.
- Using the control toggle switch or turning off the vehicle power will shut off the cruise control completely.

OPERATING YOUR VEHICLE

DANGER

Always turn off the cruise control system when it is not needed to avoid unintended activation.

Use an abundance of caution driving when adjusting vehicle speed using the speed adjusting button.

Do not use the cruise control system when traffic is busy, in sharp turns, on winding roads, wet or slippery road surfaces, ice or snow covered road surfaces, steep hills, or hilly roads. It may lead to an out-of-control vehicle and an accident.

The operator is the main controller of the vehicle, with priority of control over the cruise control system. When the vehicle is in cruise control system mode, the operator can quickly regain control at any time by using the brake, clutch, or throttle operation.

Cruise control is only an auxiliary system to help reduce operating fatigue. Do not rely on its function to compensate for your driving abilities, and be extremely cautious while driving in this mode.

OPERATING YOUR VEHICLE

Vehicle Mode

This vehicle offers many kinds of riding modes for different road conditions and different driving abilities, helping to optimize the driving experience or for navigating different terrain.

Press Fn to see Fn menu;

Short press Fn to select a vehicle mode;

Short press ◀ or ▶ to confirm your choice.

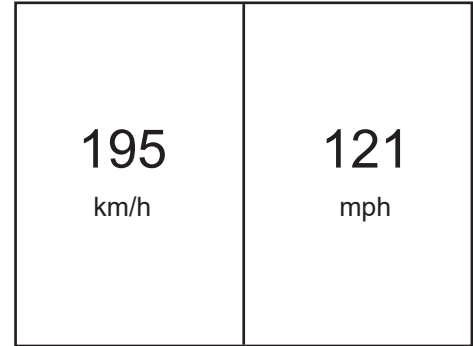


OPERATING YOUR VEHICLE

Speed Display


Displays the current vehicle speed.

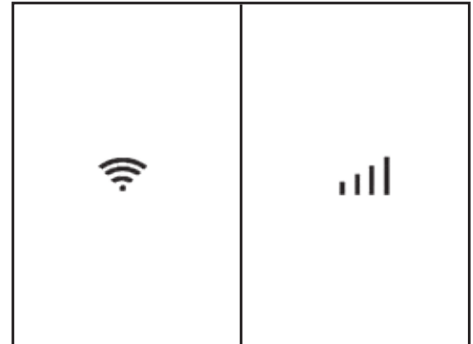
Speed unit can be shifted between km/h and mph in menu.



WiFi Connection/ Signal

When the instrument is connected to WiFi, it will show the connection icon and signal strength.

Click  to enter APP and click settings, and then click connection to set up WiFi



OPERATING YOUR VEHICLE

Clock

Displays the current time. The time is adjustable and can be shifted between 12-hour and 24-hour modes.

1:43 PM

13:43

Tachometer

Engine RPM unit is 1000 r/min.

Please avoid high engine RPM during break-in period.

To increase the engine life, do not operate with engine RPM in the red area.

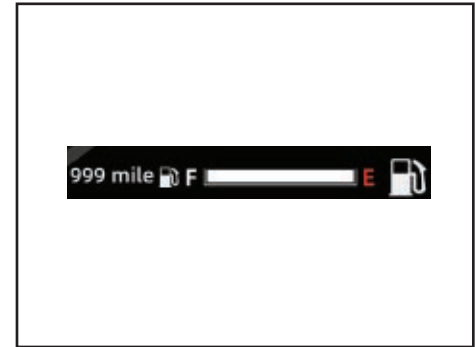
Do not operate the vehicle at high RPM until the engine is warm.



OPERATING YOUR VEHICLE

Fuel Level

When the fuel level is approaching E, the fuel is decreasing. When the fuel level is near E, please arrange your travel and timely refill it. Operating with low fuel quantity may damage fuel pump.



Seat Heater (If equipped)

Turn on and control seat heater function from the instrument. The seat heater display area will display the selected heating level.

WARNING

In order to avoid power loss, do not operate the handlebar and seat heaters for more than 10 minutes at idling speed to prevent the battery from being unable to start the engine.



OPERATING YOUR VEHICLE

Handle Grip Heater (If equipped)

Turn on and control the handle grip heater function from the instrument. The handle grip heater display area will display the selected heating level.

WARNING

In order to avoid battery loss, do not operate the handlebar and seat heaters for more than 10 minutes at idling speed to prevent the battery from being unable to start the engine.



ODO/Side Stand

The ODO is displayed here.

When the side stand is down, the indicator is on; at this time, the vehicle can not be started with gear.



OPERATING YOUR VEHICLE

Coolant Temperature

If the coolant temperature is higher than 115°C, it reaches a dangerous level.

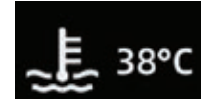
CAUTION

Overheating could lead to engine damage.

When coolant temperature reaches the top limit, please stop well the vehicle to wait for it cooling down.

Check and correct the coolant level when coolant system is totally cooled down.

If the coolant temperature often reaches to the danger top limit during normal driving condition, please contact your CFMOTO authorized dealer for service.



Gear Position

Display the current gear position.

Neutral position is displayed in green color.

N

1

OPERATING YOUR VEHICLE

Use voice control to play music

Use multi-media through following sentences and so on:

"Jay Chou";

Make a phone call through voice control

"Call Mike";

Ask weather through voice control

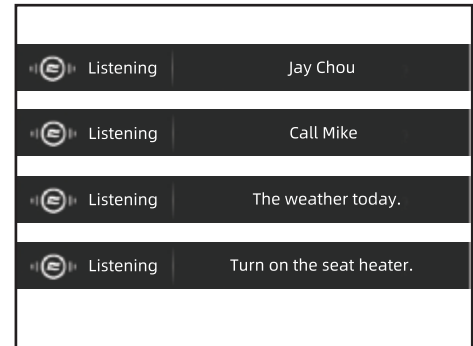
"The weather today."

"How is the weather today?"

Control your vehicle through voice control

"Turn on the seat heater."

"Turn off the handle grip heater."



OPERATING YOUR VEHICLE

Passenger Helmet Connection/Rider Helmet Connection

After connecting helmet and instrument through bluetooth, voice control function can only be used.

Follow these steps to connect helmets:

Click APP  to split screens;

Click  to enter Settings;

Click helmet connection through bluetooth and select your helmet type;

Click bluetooth switch to enable bluetooth and "helmet connection selection interface" will pop up;

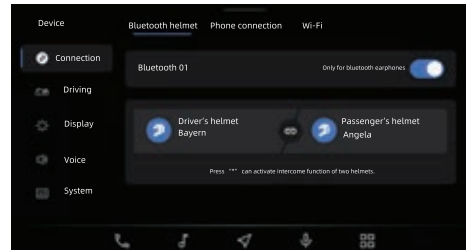
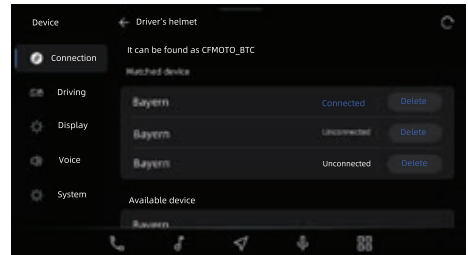
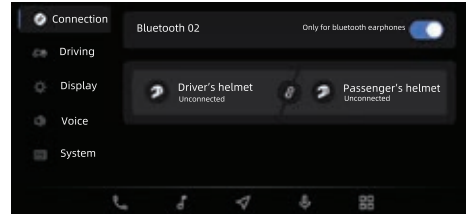
Select rider/passenger helmet;

After connection, a notice "Connected" will appear.

Intercome function is enabled after two helmets are connected.

Differences between two helmets:

	Call	Music	Voice assistant
Rider helmet	Yes	Yes	Yes
Passenger helmet	No	Yes	No




OPERATING YOUR VEHICLE

Phone

Phone and music can be used after phones and helmets are connected through bluetooth;

Follow these steps to connect phones:

Click APP  to split screens;

Click  to enter Settings;

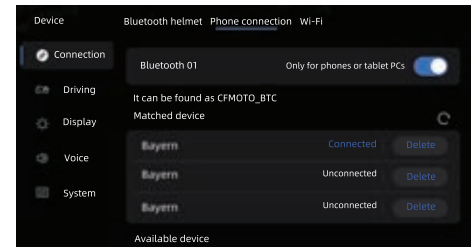
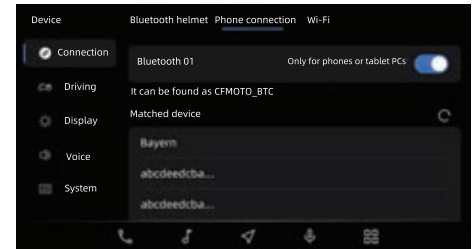
Click phone connection and the instrument will automatically search for available bluetooth devices;

Select your device;

At this time, a notice will pop up on the phone's screen, click "Yes";


Wait for this connection to be done;

After connection, a notice "Connected" will appear.





OPERATING YOUR VEHICLE


Voice Control

Enabling voice control by  on the left handlebar switch. Through voice control, navigation, music, calling, climate message and vehicle control can be used.

NOTE: The function can only be used after a bluetooth helmet is connected.

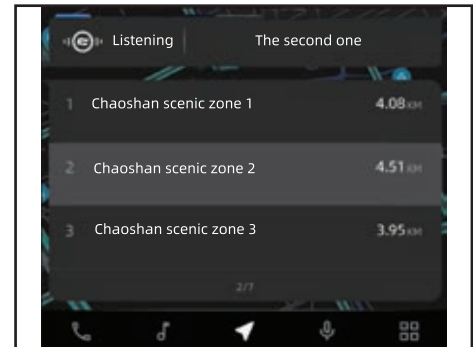
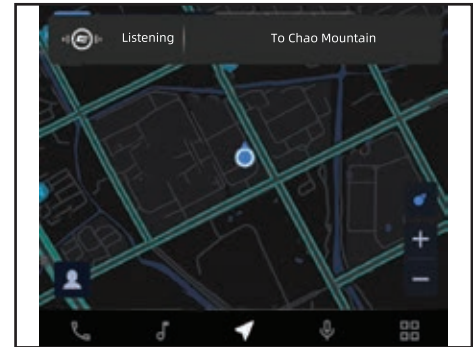
How to activate or stop voice control:

Short press  on the left handlebar switch and click  on the instrument, voice mode will be activated; after a beep, voice control is available.

Short press  on the left handlebar switch or say "Cancel" to your voice assistant, voice control can be stopped.

Navigation through voice control

When voice control is activated, say "To Chao Mountain", the instrument will enter Navigation, and say "next page" to see more choices. During navigation, you can say "cancel navigation" to stop the process.



OPERATING YOUR VEHICLE

Safety

Click APP  to split screens;

Click  to enter Settings;

Click Safety to set the following items:

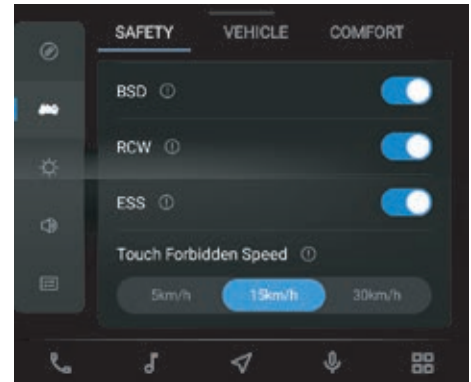
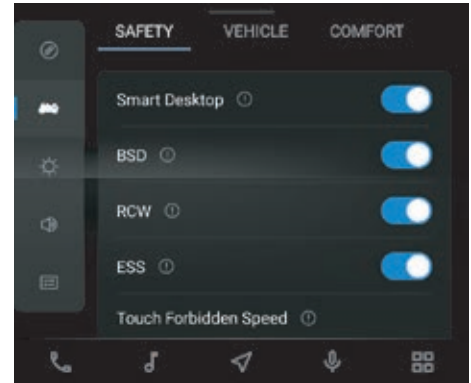
Switching smart desktops;

BSD(Blind Spot Detection);

RCW (Rear Collision Warning);

ESS (Emergency Stop Signal);


Touch Forbidden Speed.



OPERATING YOUR VEHICLE

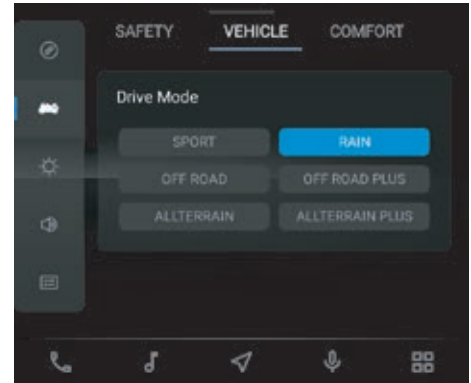
Drive Mode

Click APP  to split screens;

Click  to enter Settings;

Click Drive Mode to start operations;


NOTE: Before setting the drive mode, please stop the vehicle first.



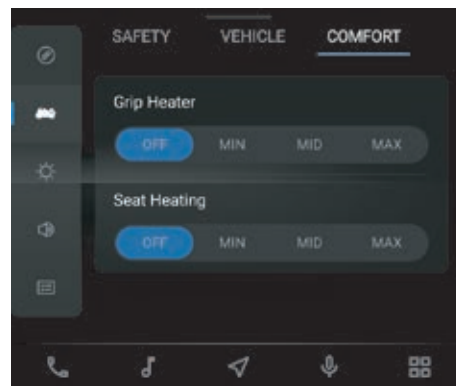
OPERATING YOUR VEHICLE

Comfort

Click APP  to split screens;

Click  to enter Settings;


Click Comfort to set up grip heater and seat heating;



OPERATING YOUR VEHICLE

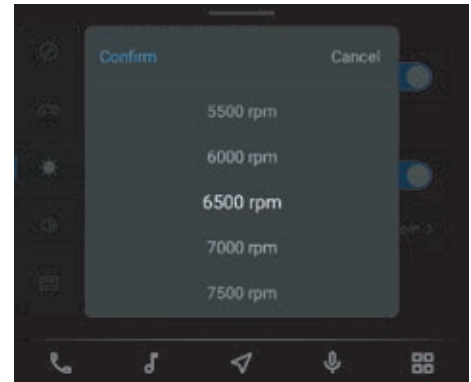
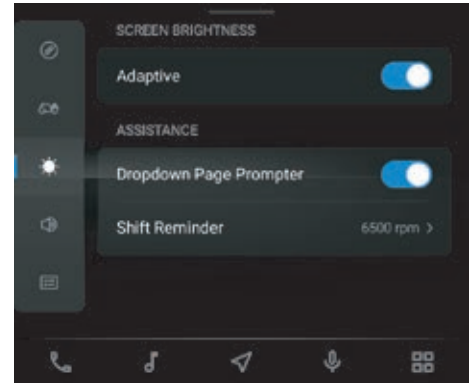
Display

Click APP  to split screens;

Click  to enter Settings;

Click Display to set up screen brightness and assistance.


If Adaptive is turned off, users can adjust the screen brightness manually.



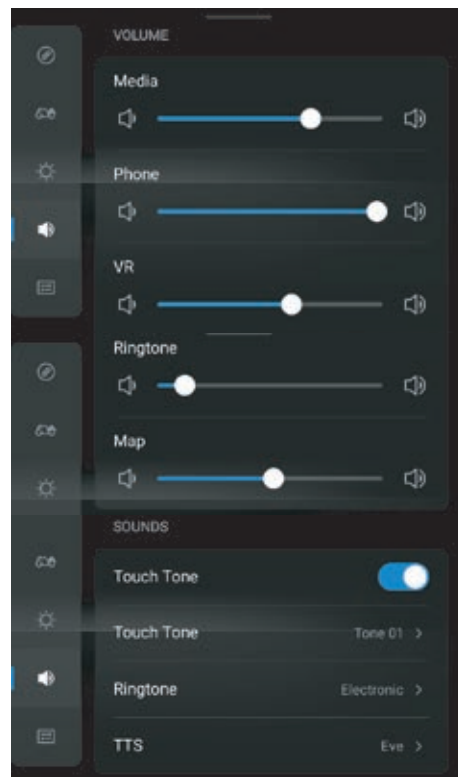
OPERATING YOUR VEHICLE

Volume

Click APP  to split screens;

Click  to enter Settings;


Click Volume to set up volume of different functions.



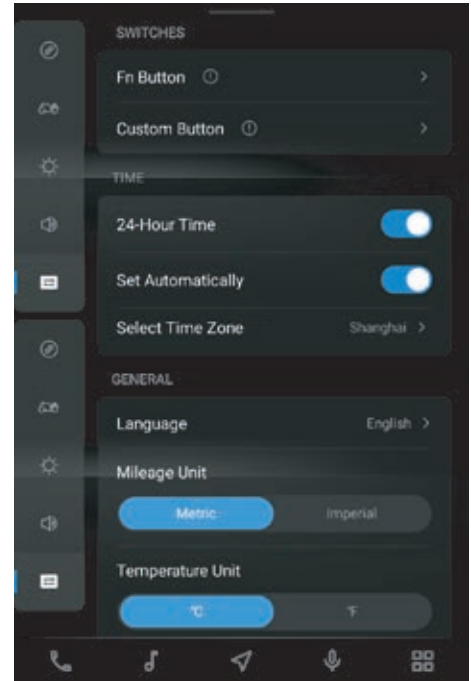
OPERATING YOUR VEHICLE

General

Click APP  to split screens;

Click  to enter Settings;

Click General to set up switches, time, general and system.



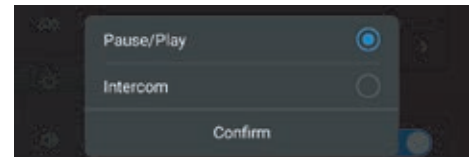
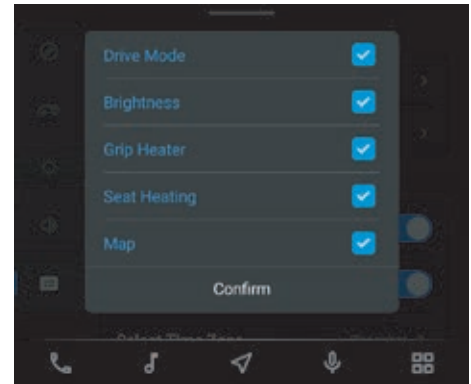
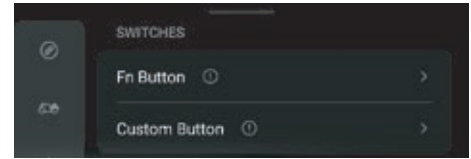
OPERATING YOUR VEHICLE

Switches

Fn and custom button can be set up;

Entering Fn button interface, Fn button on the left handlebar switch can be set up;

Entering custom button interface, * on the left handlebar switch can be set up.



OPERATING YOUR VEHICLE

Time

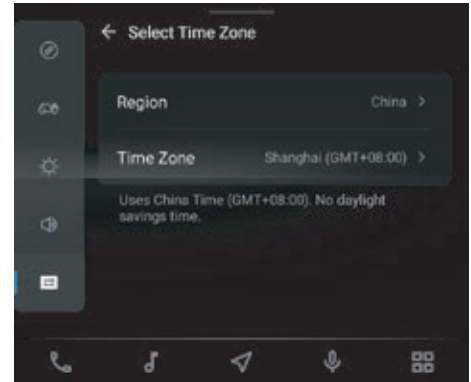
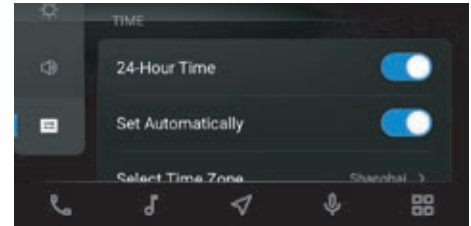
At general interface, users can set up the following items:

12/24-hour time;

Set Automatically

Select Time Zone

After turning off the function of Set Automatically, users can adjust time manually.



OPERATING YOUR VEHICLE

General

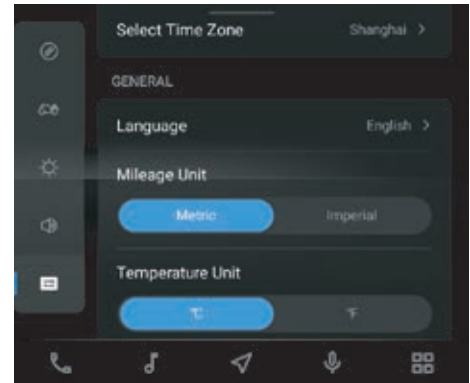
At the general interface, users can set up the following items:

Apple Carplay Connection

System Volume

Mileage Unit

Temperature Unit



OPERATING YOUR VEHICLE

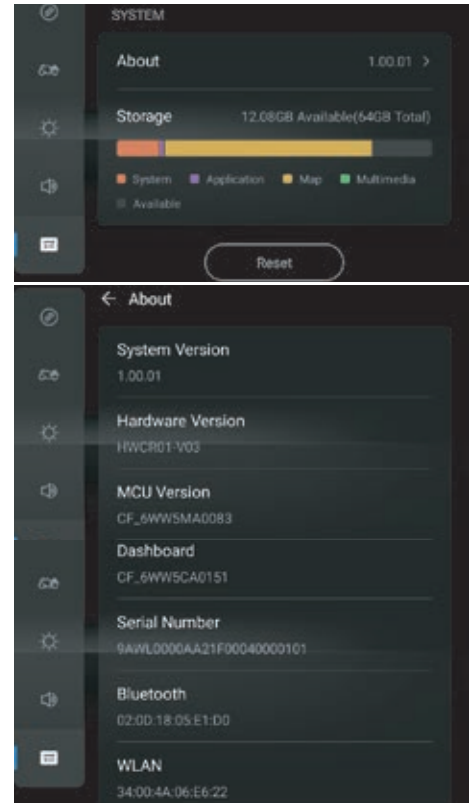
System

At the general interface, users can check the following items of this system:

- System Version;
- Hardware Version;
- MCU Version;
- Dashboard;
- Serial Number;
- Bluetooth Address
- WLAN Address

Factory Resetting

Click factory resetting, and click "confirm" to finish the resetting.



OPERATING YOUR VEHICLE

Operating Your Vehicle

Break-in Period

The break-in period for this vehicle is the first 1000km. Maintain the vehicle according to the break-in period requirements.

The following items should be observed during break-in period:

1. Do not run at high engine speeds immediately when the engine is just started. Allow the engine to warm for 2 ~ 3 minutes at idle speed and let oil flow into all the engine lubricating parts.
2. Do not run the engine at high RPM when the transmission is in neutral.
3. Avoid driving on full throttle.

Do not exceed specified rpm during break-in.

Requirement

MAX rpm	
Initial mileage: 1000km	6500 rpm
After initial mileage: 1000km	9800 rpm

DANGER

New tires are slippery, which could cause a loss of control and cause damage. Tire pressures should be at the specified value during the 1000km break-in period. Avoid sudden and maximum braking/acceleration and hard cornering during the break-in period.

OPERATING YOUR VEHICLE

Daily Safety Inspection

Checking the following items before daily riding will help keep your vehicle in safe and reliable condition. If anything appears unusual, please refer to the Maintenance and Adjustment section or contact your dealer. Do not operate the vehicle in an abnormal condition, as it may lead to serious damage or accidents.

Item	Content
Coolant	Inspect the coolant level for correct level in the coolant reservoir.
Engine oil	Inspect the oil level is at the correct level.
Rear brake fluid reservoir	Inspect the rear brake fluid reservoir is at the correct level.
Rear wheel	Inspect the rear wheel and tire for excessive wear, cracks or cuts, embedded items or other damage. Inspect the rear tire pressure is in the standard range.
Rear brake	Inspect the thickness of rear brake pad. Inspect the thickness of rear brake disc and check for any dirt or damage.
Chain and Sprockets	Inspect the drive chain and sprockets for dirt and wear, and inspect if the chain tightness is appropriate.
Front wheel	Inspect the front wheel and tire for excessive wear, cracks or cuts, embedded items or other damage. Inspect front tire pressure is in the standard range.
Front brake	Inspect the thickness of front brake pad. Inspect the thickness of front brake disc and check for any dirt or damage.
Front brake fluid reservoir	Inspect the front brake fluid reservoir is at the correct level.
Luggage/Cargo (if equipped)	Inspect the luggage/cargo is fastened securely, make sure the luggage/cargo height is within the requirement of local regulation.

OPERATING YOUR VEHICLE

Dashboard	Check the fault indicator.
Fuel Level	Check if the fuel tank volume is sufficient.
Rearview Mirrors	Check rearview mirrors for appropriate view angle.
Light	Check if all the lights work well, and if the beam height for front lights meets the local regulations.
Operating parts	Inspect the handlebar, steering, front and rear brake, throttle and switches for smooth operation.
Side stand \ main stand	Check if any looseness or damage for the return spring of side stand \ main stand.
Stop switch	Check that the stop switch works correctly.

DANGER

Inspect the vehicle every time before riding the vehicle.

The operator must have the related driver's license to ride the vehicle.

Learn the local regulations, and do not ride in the areas where motorcycles are not allowed.

Do not start the vehicle in a closed area or an area without a good ventilation system. The exhaust generated during engine operation may cause people to lose consciousness or even cause death.

OPERATING YOUR VEHICLE

Starting

Sit on the vehicle with side stand up.

Turn on ignition switch / short press start button (if equipped).

Place the gear in Neutral.

Turn the stop switch to position “

CAUTION

Engine warming at high RPMs in cold temperatures negatively impacts the lifespan of engine. Always warm the engine at a low speed.

Before the instrument self-inspection, do not start the vehicle with the start switch.

Pull the clutch lever and shift into a gear with side stand up, the vehicle can be started.

When the transmission is in Neutral position with side stand up, the vehicle can be started.

If shifting into gear with the side stand down, the engine will turn off.

Do not press the start switch for more than five (5) seconds. Please wait for more than 15 seconds to press the start switch again, or it will cause the battery to discharge quickly.

OPERATING YOUR VEHICLE

Starting Off

Pull in the clutch lever, shift into a gear, then release the clutch lever slowly and at the same time apply the throttle gently.

Shifting, Riding

<p><u>Shifting Gears Without Quick Gear Shifting:</u></p> <p>Pull in the clutch lever and release the throttle.</p> <p>Shift to the next gear with the gear shift lever.</p> <p>Release the clutch lever and slowly open the throttle at the same time to finish shifting the gear.</p> <p>Hold the handle bar and drive with throttle applied.</p>	<p><u>Shifting Gears With Quick Gear Shifting:</u></p> <p>Open the throttle gently and upshift the gearshift pedal as necessary.</p> <p>Release the throttle and downshift the gearshift pedal as necessary.</p> <p>Hold the handlebar and drive with throttle applied.</p>
---	---

WARNING

Avoid any abrupt load alterations or strong brake operation, which can cause an out of control vehicle.

Adjust the speed according to road conditions and situation around you.

When the engine RPM is high, do not shift into lower gears. Release the throttle first and reduce the engine speed.

All adjustments for vehicle operation should be made when vehicle is at a standstill.

The passenger must be seated properly on the passenger seat with feet on the rear foot pegs, wearing a helmet and other safety protection, and holding onto the operator or grab handle.

OPERATING YOUR VEHICLE

WARNING

Comply with the local traffic regulations for minimum passenger age.

Comply with all local traffic regulations. Ride defensively and foresightedly to detect sources of danger early on.

When the tires are cold, their road grip performance is reduced. Use caution and drive with average speed for several kilometers until the tires arrive at their available temperature.

Do not exceed the permitted full payload. Full payload includes the vehicle weight with full fuel tank, driver, passenger and luggage/cargo.

Luggage/cargo sliding will effect the handling performance, inspect that it is fixed tightly on the vehicle, and that the width does not exceed 5.9 in. (0.15m) from the left and right handle bar ends.

In the event of an accident, the damage from crashing could be more serious than it looks. Inspect the vehicle completely to make sure it is safe, or take the vehicle to a CFMOTO dealer for inspection.

Improper gear shifting may lead to damage of the transmission.

Operate the throttle according to the road conditions and climate. Do not shift gears and be careful operating the throttle during turning.

OPERATING YOUR VEHICLE

Brake

Release the throttle when applying the brake, and use front and rear wheel brake for braking at the same time.

Finish braking before turning, and shift to a lower gear according to the speed required.

On long distance downhills, use the engine to compression brake and shift to lower gears, but do not allow the engine to operate with high RPM. Using the engine brake effect helps to reduce the braking force required of the brake system, and reduce the chance of overheat.

WARNING

Moisture and dirt impair the brake system. Brake carefully several times to dry out moisture and remove dirt from the brake pads and discs.

If the hand brake lever and foot brake lever feel soft, stop riding until the brake system is fully inspected and the fault eliminated.

Take your foot off the foot brake lever when you are not braking. Long-time pressing of the foot brake will cause brake component overheating and excessive friction, which will affect service life and safety.

When carrying a passenger or luggage/cargo, the required braking distance will increase. Please adjust the brake time according to vehicle load.

When the ABS is enabled, you can achieve maximum braking power even on low grip surfaces such as sandy, wet or slippery terrain without locking of the wheels.

OPERATING YOUR VEHICLE

Parking

Stop the vehicle with brake.

Shift the transmission to Neutral.

Turn off the ignition switch.

Park the vehicle on firm, level ground.

Use side or center stand (if equipped) to support vehicle.

Turn the handlebar to the maximum left angle, and lock the handle bar with the key.

Remove the key.

WARNING

When engine is running, do not leave the vehicle unattended.

Secure the vehicle against use by unauthorized persons.

Lock the steering when leaving the vehicle unattended.

After running the vehicle, the temperature will be very high for some parts. Do not touch any parts such as the exhaust system, cooling system, engine, or brake system before the vehicle parts have cooled down.

Do not park the vehicle near materials that are highly flammable or explosive. High temperature parts may ignite the materials.

Using incorrect procedures when parking may cause vehicle to roll away and fall over, which will lead to significant damage.

The center stand (if equipped) is only intended to support the vehicle and luggage/cargo. When using the center stand to park the vehicle, do not sit on it. Doing so could damage the center stand, or damage the frame, and the vehicle may fall over.

SAFETY OPERATION

Safety Operation

Safe Riding Technique

The following cautions are applicable for daily motorcycle use and should be carefully observed for safe and effective vehicle operation:

- For safety, eye protection and a helmet are strongly recommended. You must be aware of safety regulations prior to riding the motorcycle. Gloves and suitable footwear should also be used for added protection.
- Wear protective apparel when riding in case of any collision. Protective apparel cannot protect the body if it is not worn.
- Before changing lanes, look over your shoulder to make sure the way is safe. Do not rely solely on the rearview mirrors. You may misjudge a vehicle's distance and speed, which can easily cause an accident.
- When going up steep slopes, shift to a lower gear so there's plenty of power and engine torque rather than overloading the engine.
- When applying the brakes, apply both the front and rear brakes at the same time. Applying only one brake for sudden braking may cause the motorcycle to skid and lose control.
- When going down long downhill slopes, control vehicle speed by releasing the throttle and using the engine to compression brake. Use the front and rear brakes for auxiliary braking.
- In wet conditions, rely more on the throttle to control vehicle speed and less on the front and rear brakes. The throttle should also be used judiciously to avoid skidding the rear wheel during rapid acceleration or deceleration.

SAFETY OPERATION

- Riding at the proper speed and avoiding unnecessary acceleration are important not only for safety and low fuel consumption, but also for longer vehicle life and quieter operation.
- When riding in wet conditions or on loose roadway surfaces, vehicle performance will be reduced. All of your actions should be smooth under these conditions. Sudden acceleration, braking or turning may cause loss of control.
- Practice your operating skills. In an empty area, exercise cautiously, slow down, and grip the fuel tank with the knees for better stability. When quick acceleration is necessary as in passing, shift to a lower gear to obtain the necessary power.
- Do not downshift at high rpm to avoid damage to the engine.
- Avoid unnecessary use of fabric tape which may entangle the rider or motorcycle.

SAFETY OPERATION

Additional Cautions for High Speed Operation

Brakes: Braking is very important, especially during high speed operation and cannot be over-stated. Check and replace pads more often to get better performance.

Handling: Looseness in the steering parts may cause loss of control. Check to see whether the handlebar turns freely but has no shaking, and that the wheels turn without shaking or looseness.

Tires: High speed operation requires that tires be in good condition. Good condition tires are crucial for riding safety. Inspect their overall condition, inflate them to the proper pressure, and check the wheel balance.

Fuel: Have sufficient fuel onboard for high speed operation.

Engine oil: To avoid engine failure which could result in a loss of control, make sure the oil level is maintained between the upper and lower level lines.

Coolant: To avoid overheating, check and make sure that the coolant level is between the level lines.

Electrical Equipment: Make sure that the headlights, tail/brake light, turn signals, horn and etc. work properly.

Fasteners: Make sure that all nuts and bolts are tight and that all safety-related parts are in good condition.

DANGER

Follow all traffic regulations. Do not ride on the highway over posted speed limits. Riding at high speeds on the highway will violate related regulations. Motorcycles may be forbidden to operate on the highway in some areas.

MAINTENANCE

Precaution for Off-road Surfaces

Driving on off-road surfaces (unpaved road) is different than a paved road. It requires driving experience, and errors may lead to serious injury. Consider joining a riding club to get more off-road instruction, driving routes, and driving areas.

Always keep a safe distance from other riders ahead of you and behind of you when riding in a group. Never operate carelessly or make unexpected maneuvers with other vehicles close by. Stay on designated trails and riding areas, and discourage others from operating in unauthorized locations.

Pay attention to the following safety precautions to prevent accidents on gentle off-road roads:

Danger

1. Cargo weight carried in the left and right side boxes should try to be equal. Balance is very important when driving off-road, especially in soft sand terrain or wetland terrain that is easy to get stuck, drift, or requires additional throttle to maintain a constant speed.
2. When driving off-road in complex or extreme surface conditions, reducing the tire pressure appropriately can help for better operating control, ground holding, and stability.
3. Keep constant throttle opening during off-road driving and prevent abrupt throttle changes.
4. Keep the handlebar stable during off-road driving to prevent steering wagging.
5. Try best to use rear brake and engine brake to reduce the speed and maintain steering control.
6. Plan a sensible driving route. Avoid serious conditions or surfaces that are beyond your driving ability. Pay high attention to the conditions during driving and try best to choose solid ground.
7. Try best to bypass deep puddles or muddy ground. Test the water depth and surface condition, and if you can, avoid riding through it.

Consult your authorized CFMOTO dealer for more safety information.

MAINTENANCE

Maintenance

Careful periodic maintenance will help keep your vehicle in the safest, most reliable condition. Inspection, adjustment, and lubrication of important components are explained in the maintenance schedule.

Inspect, clean, lubricate, adjust, and replace parts as necessary. When inspection reveals the need for replacement parts, always use genuine parts available from your dealer.

NOTE:

Periodic service and adjustments are critical. If you are not familiar with performing safe service and adjustment procedures, have a qualified dealer perform the required maintenance for you.

Pay special attention to the engine oil level during cold weather operation. A rise in engine oil level can indicate contaminants collecting in the oil sump or crankcase. Change oil immediately if the oil level begins to rise. Monitor the oil level, and if it continues to rise, discontinue use and determine the cause, or see your dealer.

Severe Use Definition

CFMOTO defines severe vehicle use as:

- Racing or race-style high RPM use
- Prolonged low speed, heavy load operation
- Extended engine idle
- Short trip cold weather operation
- Vehicles used in commercial or rental operations

If your vehicle use matches any of these definitions, decrease the service intervals by 50%.

MAINTENANCE

Key Points of Lubrication Schedule:

Check all components at the intervals outlined in the Periodic Maintenance Schedule. Items not listed in the schedule should be lubricated at the general lubrication interval.

- Change lubricants more often under severe use, such as wet or dusty conditions.
- Lubricate before long periods of storage, after pressure washing, or after submerging drive system.

Item	Lubricant	Method
Engine oil	SAE 10W-50 JASO T903 MA2 (See page 152 for oil viscosity chart)	Inspect the level from the engine oil view window.
Brake fluid	DOT4 or DOT5.1	Keep level between upper and lower lines Factory brake fluid: DOT 5.1

MAINTENANCE

Break-in Maintenance Schedule

Item		Break-in Maintenance Interval (Service whichever interval comes first.)			
		Month	Miles	Km	Notes
Engine					
	Engine oil and oil filter	-	600	1000	Replace
	Oil strainer	-	600	1000	Clean
	Idle	-	600	1000	Inspect and adjust if necessary
	Throttle system	-	600	1000	
Electrical system					
■	Functions of electrical parts	-	600	1000	Inspect terminals, clean and test battery if necessary
	Battery	-	600	1000	
	Fuses or circuit breakers	-	600	1000	
Brake system					
	Brake discs	-	600	1000	Inspect
	Brake pads	-	600	1000	Inspect
	Brake fluid level	-	600	1000	Inspect
■	Brake hoses	-	600	1000	Inspect brake hoses for damage and to see whether they are sealed.
	Brake lever	-	600	1000	Inspect and adjust if necessary

■ = Have an authorized dealer perform repairs that involve this component or system.

MAINTENANCE

Item	Break-in Maintenance Interval (Service whichever interval comes first.)				
	Month	Miles	Km	Notes	
Wheels					
	Tire condition	-	600	1000	Inspect and contact a CFMOTO dealer for service
	Tire pressure	-	600	1000	
	Wheel bearings		600	1000	
Suspension system					
■	Rear shock absorber and front forks	-	600	1000	Inspect for leaking (maintain front forks and rear shock absorber according to the requirement)
Cooling system					
	Coolant level	-	600	1000	Inspect
■	Coolant	-	600	1000	
■	Radiator fan function	-	600	1000	Inspect
	Coolant hoses	-	600	1000	Inspect and clean
Steering system					
■	Steering bearings	-	600	1000	Inspect and lubricate

■ = Have an authorized dealer perform repairs that involve this component or system.

MAINTENANCE

Item	Break-in Maintenance Interval (Service whichever interval comes first.)				
	Month	Miles	Km	Notes	
Other parts					
■	Diagnostic connector	-	600	1000	Read with PDA
■	Moving parts	-	600	1000	Lubricate. inspect for flexibility
■	Bolts and nuts	-	600	1000	Inspect for fastness
■	Cables and wires	-	600	1000	Inspect for damage, bending and routing

■ = Have an authorized dealer perform repairs that involve this component or system.

MAINTENANCE

Periodic Maintenance Schedule

Item		Periodic Maintenance Interval (Service whichever interval comes first.) (The maintenance interval is shortened by 50% when the motorcycle is used badly.)			
		Month	Miles	Km	Notes
Engine					
	Engine oil and oil filter	12M	9000	15000	Replace
	Oil strainer	12M	9000	15000	Clean
■	Clutch	-	9000	15000	Inspect, service or replace if necessary
	Idle	-	9000	15000	
■	Coolant	12M	9000	15000	Inspect, replace if necessary
		48M	-	-	Replace
■	Throttle system	-	9000	15000	Inspect, service or replace if necessary
■	Throttle valve	-	9000	15000	Clean
	Air filter element	12M	9000	15000	Replace
	Spark plug	-	18000	30000	Replace
■	Valve clearance		18000	30000	Inspect

■ = Have an authorized dealer perform repairs that involve this component or system.

MAINTENANCE

Item	Periodic Maintenance Interval (Service whichever interval comes first.) (The maintenance interval is shortened by 50% when the motorcycle is used badly.)				
	Month	Miles	Km	Notes	
Electrical system					
■	Functions of electrical parts	12M	6000	10000	Inspect, service or replace if necessary
	Battery	6M	3000	5000	Inspect, charge if necessary
	Fuses or circuit breakers	6M	3000	5000	Inspect, replace if necessary
■	Wires	12M	6000	10000	Inspect for damage, bending and routing
Wheels					
	Tire condition	12M	6000	10000	Inspect, service or replace if necessary
	Tire pressure	12M	6000	10000	Inspect, inflate if necessary
■	Wheel bearings		6000	10000	Inspect, service or replace if necessary

■ = Have an authorized dealer perform repairs that involve this component or system.

MAINTENANCE

Item	Periodic Maintenance Interval (Service whichever interval comes first.) (The maintenance interval is shortened by 50% when the motorcycle is used badly.)				
	Month	Miles	Km	Notes	
Brake system					
■	Front and rear brake system	12M	6000	10000	Inspect, service or replace if necessary
■	Brake discs	12M	6000	10000	
	Brake pads	12M	6000	10000	
	Brake fluid level	12M	6000	10000	Inspect, add brake fluid if necessary
	Brake lever	12M	6000	10000	Inspect for free play
■	Brake hoses	12M	6000	10000	Inspect for damage and sealing
■	Brake fluid	24M		-	Replace

■ = Have an authorized dealer perform repairs that involve this component or system.

MAINTENANCE

Item	Periodic Maintenance Interval (Service whichever interval comes first.) (The maintenance interval is shortened by 50% when the motorcycle is used badly.)				
	Month	Miles	Km	Notes	
Suspension system					
■	Suspension system	-	3000	5000	Inspect
■	Rear shock absorber and front forks	12M	6000	10000	Inspect for leaking (maintain according to requirement)
Frame system					
■	Frame	-	18000	30000	Inspect, service or replace if necessary
Steering system					
■	Steering bearings	12M	6000	10000	Inspect, service or replace if necessary

■ = Have an authorized dealer perform repairs that involve this component or system.

MAINTENANCE

Item	Periodic Maintenance Interval (Service whichever interval comes first.) (The maintenance interval is shortened by 50% when the motorcycle is used badly.)				
	Month	Miles	Km	Notes	
Cooling system					
	Coolant level	12M	6000	10000	Inspect, add coolant if necessary
■	Radiator fan	12M	6000	10000	Inspect, service or replace if necessary
■	Coolant hoses	12M	6000	10000	
Chain					
	Chain lubrication	-	-	600	Check after riding on rainy days
	Chain tightness	-	-	1000	Inspect
■	Chain, rear sprocket and engine sprocket wear condition	-	12M	10000	Inspect, replace if necessary
■	Chain guard	-	12M	10000	

■ = Have an authorized dealer perform repairs that involve this component or system.

MAINTENANCE

Item	Periodic Maintenance Interval (Service whichever interval comes first.) (The maintenance interval is shortened by 50% when the motorcycle is used badly.)				
	Month	Miles	Km	Notes	
Other parts					
■	Diagnostic connector	12M	6000	10000	Read with PDA
■	Moving parts	12M	6000	10000	Lubricate, inspect for flexibility
■	Bolts and nuts	12M	6000	10000	Inspect for fastness
■	Cables and wires	12M	3000	5000	Inspect for damage, bending and routing
■	Pipes, ducts, hoses and sleeves	12M	6000	10000	Inspect for cracks, sealing and routing

■ = Have an authorized dealer perform repairs that involve this component or system.

MAINTENANCE

Clutch Lever Freeplay

Check clutch lever smoothness.

Turn handlebar towards the left to the end.

Slowly pull the clutch lever until the resistance is evident. Check clutch lever position where the clearance is for freeplay.

Free play: 0.19 in. ~ 0.39 in. (5 mm ~ 10 mm)

⚠ WARNING

If there is no freeplay for clutch lever, the clutch will start to slip.

Check lever freeplay every time before starting the engine.

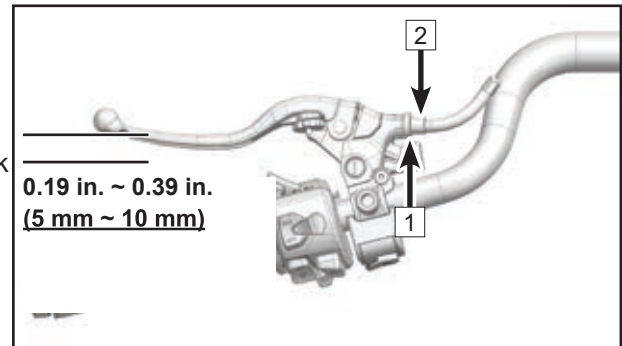
Set the clutch lever freeplay when necessary.

Clutch Lever Free Play Fine Adjustment

Turn handlebar towards the left to the end.

Loosen lock nut **1** and rotate the adjusting nut **2** for adjustment.

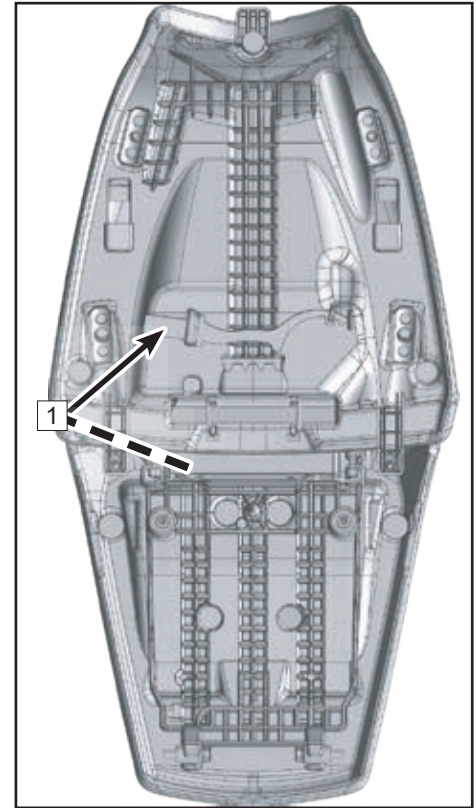
Once the desired freeplay is achieved, tighten the lock nut **1**.



MAINTENANCE

Tool kit

Tool kit **1** is located under the seat. The tools supplied with the vehicle are helpful for partial maintenance, disassembling and assembling.



MAINTENANCE

Fuel System

Fuel Tank

Avoid spilling gasoline on the fuel tank when fill with fuel. If a spill occurs, wipe it off immediately to avoid pollution or causing danger.

Fuel tank volume: 5.07 gal. (19.2 L)

DANGER

Gasoline is extremely flammable and can be explosive under certain conditions. Always fill fuel in a properly ventilated area. Before refueling, turn off the engine and wait for the engine and muffler to cool. No smoking or any acts that cause sparks is allowed in the fuel filling area or fuel storage area.

Never fill the tank excessively. Avoid overflowing onto high temperature parts. The fuel level should not exceed the tank opening. As temperature rises, fuel can heat and expand, possibly spilling over and damaging motorcycle parts.

Fuel is toxic and harmful to health. Avoid touching with skin, eyes and clothes. Do not inhale fuel vapor.

If touched skin, wash with plenty of clean water.

If touched to eyes, wash eyes immediately with clean water and see a doctor immediately.

If touched to clothes, change the clothes immediately.

If swallowed fuel by mistake, see a doctor immediately.

After maintenance or other repairing parts of the fuel system, please contact your dealer for a complete inspection to avoid fuel leaks or other dangers.

Dispose of fuel properly to avoid damage to the environment.

MAINTENANCE

Fuel Requirement

The recommended fuel for your vehicle is 89 octane minimum. Non-oxygenated (ethanol-free) fuel is recommended for best performance in all conditions.

CAUTION

Do not use leaded gasoline, as it will destroy the catalytic converter. (For further understanding, please refer to more information related to the catalytic converter)

Be sure to use fresh gasoline. Gasoline oxidates in as little as 30 days, resulting in loss of octane and volatile compounds. It also produces colloidal and lacquer deposits which could damage the fuel system.

Octane Rating Class

The higher the octane rating of the fuel, the better ability to prevent engine knocking or detonation. Please always use 89 octane or higher unleaded gasoline.

CAUTION

If the engine has a knocking cylinder or detonation, use a higher quality or higher octane rating of unleaded gasoline.

MAINTENANCE

Refueling

Before opening the fuel tank: Make sure the vehicle is stopped and the engine is turned off.

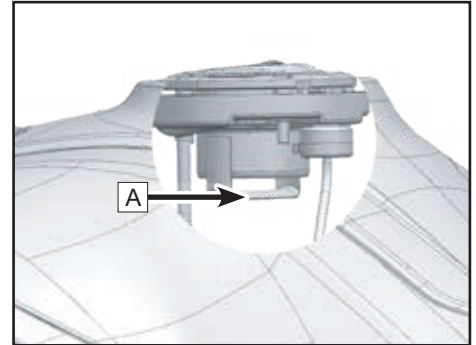
Open the fuel tank.

Add fuel, and its highest level should be at **A**, the bottom of refueling port.

Cover the fuel tank.

CAUTION

Because of the expansion of fuel in its tank when the temperature gets higher, over-fueling may cause fuel to spill.



MAINTENANCE Engine Assy

For the engine, transmission, and clutch to work properly, maintain the engine oil between the upper and lower lines on the oil window. During the engine lubrication process, oil not only builds up carbon by-product and metallic impurities, but may also consume itself by a small amount.

Inspect and change the oil in accordance with the Periodic Maintenance Chart.

DANGER

Motorcycle with insufficient, deteriorated or highly contaminated engine oil will cause accelerated wear and may result in engine or transmission seizure, accident, and injury.

Engine Oil Level Inspection

Make sure the vehicle is turned off.

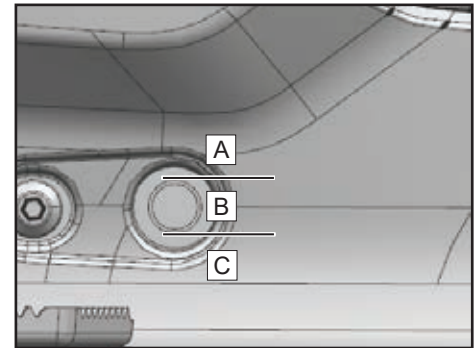
If the engine was operated prior to turning off, please wait for 3 to 5 minutes for the oil to settle.

Support the vehicle vertically on a level surface, then view the oil level inspection window:

If the oil level is located at area A, drain out oil until the level is within area B.

If the oil level is within area B, it is at the proper level.

If the oil level is located at area C, or no oil level is viewed, fill the engine with the recommended oil until the level is within area B.



MAINTENANCE

Change Engine Oil and Oil Filter

Park the vehicle by side stand on the level ground.

Idling the engine for several minutes to warm up the engine, then shut off the engine.

⚠ WARNING

Warm-up of the engine a long time may lead to high temperature of the engine and engine oil. Please wear suitable protective clothing and safety gloves when operating. In the event of scalding, wash the affected area immediately with running water for more than 10 minutes and seek for medical attention.

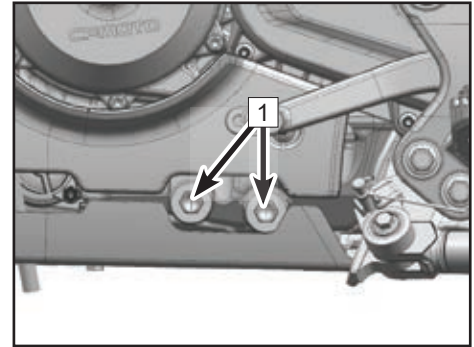
Place an oil pan under the oil drain bolt position.

Remove oil drain plug, magnet, o-ring and oil strainer assy **1** .

Drain out completely the used oil.

⚠ WARNING

Oil is a toxic substance. Dispose of used oil properly.



MAINTENANCE

Remove the oil filter cover **2** and replace the old oil filter with a new oil filter.

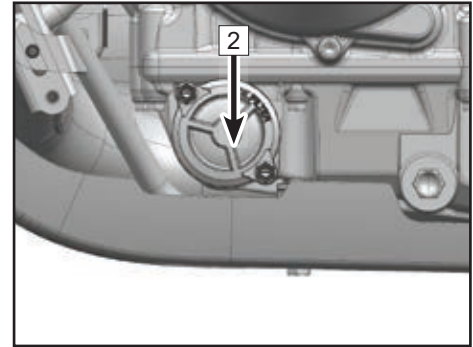
Reinstall oil filter cover (6N•M).

CAUTION

When mounting the oil filter cover, apply a layer of oil film on the oil filter seal ring.

Clean oil drain plug, magnet and oil strainer assy.

Replace with new o-ring, then install oil drain plug (20N•m), magnet and oil strainer assy.



MAINTENANCE

Remove oil filling plug and o-ring **3** .

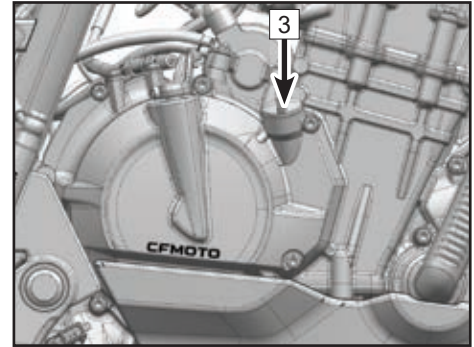
Fill with 2800mL oil of SAE10W/50.

Install oil filling plug and o-ring.

Idling the engine for several minutes, allow the oil run into the oil filter.

Turn off the engine.

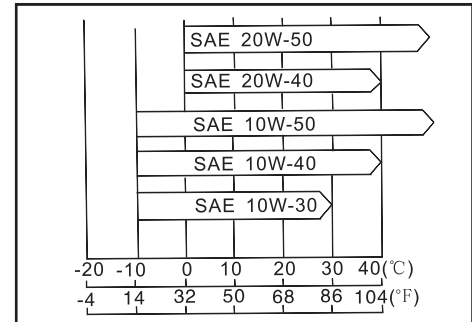
Inspect the oil level and adjust according to the level result.



Engine Oil Capacity

Change with oil filter: 3 qt (2.8 L)

CFMOTO recommends to use APISJ oil or higher. JASO T903 MA2 oil is the first choice. Although 10W-50 engine oil is the recommended oil for most conditions, the oil viscosity may need to be changed to accommodate atmospheric condition in your riding area. Please choose the oil according to the chart provided.



MAINTENANCE

Spark Plug

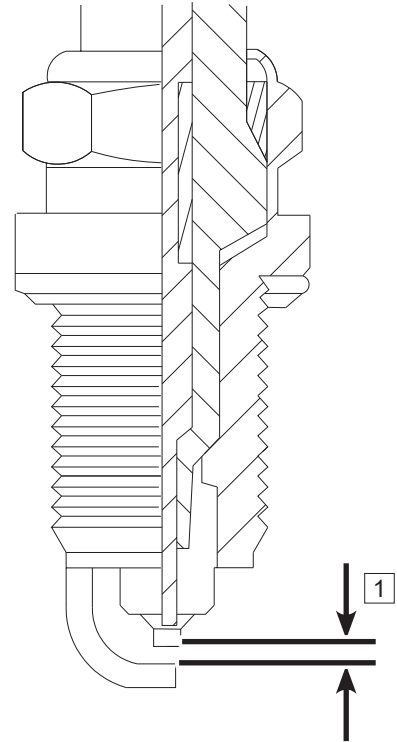
The spark plugs should be replaced in accordance with the Periodic Maintenance Chart.

Spark plug removal should be done by an authorized dealer.

Spark plug type: NGK LMAR9AI-10

Spark plug clearance 1 : 0.9mm~1.0 mm

Tightening torque: 10 N•m

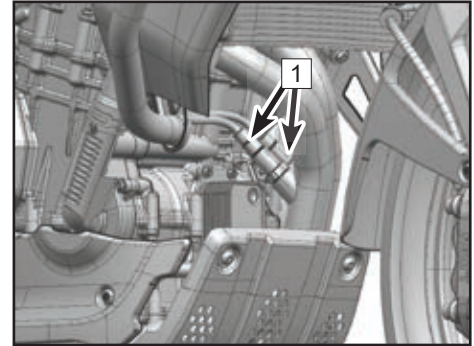


MAINTENANCE

Air Intake and Exhaust System

Fuel & Exhaust Detecting System

Fuel & exhaust system optimization is detected by oxygen sensors **1**. An oxygen sensor installed on each exhaust pipe detects air & fuel combustion condition by measuring oxygen density and transferring it as an electrical signal to the ECU. If the ECU determines that combustion is not optimal, it will make adjustments to fuel injection in accordance with signals from the TPS and Intake Air Temperature sensors. By this way, the ratio of air against fuel can be optimized for complete combustion.



Air Intake Valve

An air intake valve is essentially a valve which allows fresh air to flow only from the air filter into the engine. Any air that passes through the air intake valve is prevented from returning. Have a dealer inspect the air intake valves in accordance with the Periodic Maintenance Chart. Also, have the air intake valves inspected whenever stable idling cannot be obtained, engine power is greatly reduced, or there are abnormal engine noises.

Air intake valve removal and inspection should only be performed by an authorized CFMOTO dealer.

MAINTENANCE

Valve Clearance

The engine valves and valve seats wear during operation. Adjustment of the valvetrain components should be performed by a dealer technician in accordance with the Periodic Maintenance Chart.

WARNING

If adjustment of the valve clearance is not performed, it will eventually result in no clearance or cause the valves remaining partly open, which reduces performance, creates valve noise, and can cause serious engine damage. Valve clearance for each valve should be checked and adjusted in accordance with the Periodic Maintenance Chart. Inspection and adjustment should be performed by a CFMOTO dealer.

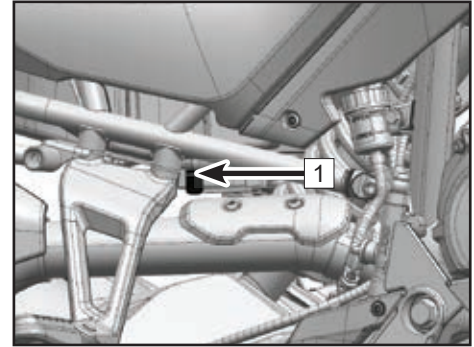
MAINTENANCE

Air Filter

A clogged air filter restricts air flow, increases fuel consumption, reduces engine power, and causes spark plug fouling. The air filter element must be cleaned in accordance with the periodic Maintenance Chart. When driving in dusty, rainy, or muddy conditions, the air filter element should be serviced more frequently than the recommended interval in the periodic Maintenance Chart.

Due to the vehicle's design, air filter service should be only performed by an authorized dealer.

Indicator hose **1** alerts to excessive dirt, residual oil or water in the air filter housing.



⚠ CAUTION

Oil on tires and plastic or other parts will cause damage.

If the engine intakes unfiltered air, it will have a negative effect on the service life of the engine.

Never start or use the vehicle without an air filter.

MAINTENANCE Cooling System

Radiator and Cooling Fan

Check the radiator fins for bending, out of shape, obstruction by insects or mud, and clean off any obstructions with a stream of low pressure water.

 **WARNING**

Keep your hands and clothing away from the fan blades when it is running to avoid any injury.

Using high-pressure water to wash the vehicle could damage the radiator fins and impair the radiator's effectiveness. Installing unauthorized accessories in front of the radiator or behind the cooling fan may cause interference with the radiator airflow, and can lead to overheating and consequent engine damage.

If the radiator fins are damaged by more than 20% of their surface area by obstructions, and it is unable to be cleared, then replace it with a new radiator.

Radiator Hoses

Check the radiator hoses for leaks, cracks, deterioration, rust, corrosion and connections for leaks or looseness daily before riding the motorcycle. Check in accordance with the Periodic Maintenance Chart.

MAINTENANCE

Coolant

Coolant absorbs excessive heat from the engine and transfers it to the air by the radiator. If the coolant level is low, the engine will overheat and may suffer severe damage. Check the coolant level daily before riding the motorcycle and perform maintenance in accordance with the periodic maintenance chart. Replenish coolant if the level is low.

To protect the cooling system (engine and radiator contain aluminum parts) from rust and corrosion, the use of corrosion and rust inhibitor chemicals in the coolant is essential. Purchase only commercially available coolant containing corrosion and rust inhibitors that are safe for aluminum, so there is no need to add separately.

MAINTENANCE

DANGER

Coolant is toxic and harmful for health.

Do not allow the coolant to touch skin, eyes or clothing.

If coolant is swallowed, see a doctor immediately.

If coolant contacts the skin, flush the contact position with plenty of water immediately.

If coolant contacts the eyes, flush the eyes with plenty of water and see a doctor immediately.

If coolant splashes on clothes, change the clothes.

Any corrosion or rust flushed from the engine and radiator should be disposed of following local regulations. The chemicals in coolant are harmful to the human body.

CAUTION

Do not add tap water to the coolant system. It will cause deposit accumulation inside the cooling system. Use only a distilled water and coolant 50% \ 50% mix. When temperatures are below 0°C, improper water/coolant mix can cause freezing, severe interference, and failure of the coolant system.

Available bottled antifreeze on the market contains anti-corrosion and anti-rust properties. When it is diluted excessively, it loses its anti-corrosion and anti-rust performance. Keep the diluted concentration of antifreeze the same as the instructions from the manufacturer.

When filling the cooling system, ensure the coolant color is red and contains ethylene glycol. When the environment temperature is below -32°F (-35°C), please ensure the coolant has a freezing point below -32°F (-35°C).

MAINTENANCE

Coolant Level Inspection

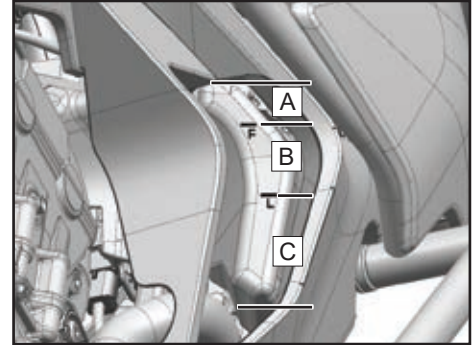
Park the vehicle by side stand on level ground.

Inspect the coolant level in the reservoir.

If the level is at area 'A': Drain out the redundant coolant until it arrives at area 'B'.

If it is located at area 'B': The coolant at the proper level.

If the level is at area 'C' or cannot see the level: Refill with the same coolant until the level is at area 'B'.



WARNING

When the vehicle is running, the coolant will have a very high temperature and is in a state of compression.

Before the engine or cooling system has cooled down, do not open the radiator, radiator hose, reservoir or other cooling system related parts.

In the event of scalding, wash the affected area immediately with running water for more than 10 minutes and seek medical attention.

MAINTENANCE

Coolant Filling

Open the reservoir cover and add coolant until the level is within area B.

 **CAUTION**

If coolant needs to be added frequently, or the reservoir tank is completely dry, there is probably a leak in the system. Have the cooling system inspected by an authorized dealer.

Contact your dealer for replacing coolant. Mixing different coolant may lead to engine damage.

MAINTENANCE

Tire and Chain

This vehicle only uses tubeless tires, rims and inflating valves. Only use the recommended standard tires, rims and inflating valves. Do not install inner tube tires on tubeless rims. Do not install a inner tube inside a tubeless tire. If tires are not installed properly, it may cause tire air leakage.

Tire Specification

Tire specification	Front wheel	110/80 R19
	Rear wheel	150/70 R17
Tire pressure	Front wheel	34.8 psi (240 kPa)
	Rear wheel	40.6 psi (280 kPa)
Minimum tread depth	Front wheel	0.031 in ~ 0.039 in (0.8 mm ~ 1 mm)
	Rear wheel	0.031 in ~ 0.039 in (0.8 mm ~ 1 mm)

Improper tire pressure or exceeding the tire load limit may affect the vehicle handling and performance, causing a loss of control.

Make periodic inspections of the tire air pressure using a tire pressure gauge. Adjust tire pressure accordingly.

Excessive low tire pressure may cause tire improper wear or overheating.

Proper tire pressure offers the best comfort level and the longest service life.

MAINTENANCE

NOTE:

Inspect the tire pressure when the tires are cold.

Tire pressure is affected by the change of environment temperature and altitude. If the ambient temperature and altitude have a big change during the driving trip, tire pressure should be inspected and adjusted accordingly.

Most countries have their own regulation for minimum tread depth. Please follow local regulations. When installing new rims or tires, always inspect for wheel balance.

CAUTION

In order to keep the handling safety and stability, please only use the tire and pressure recommended. A punctured tire should be repaired as soon as possible. If the tire is punctured and repaired or used within 24 hours after repairing, the vehicle speed should not exceed 62 mph (100 km/h), and cannot exceed 80 mph (130 km/h) at any other time.

The front and rear tires should come from the same manufacturer, with the same tread pattern.

New tires can be slippery and may cause a loss of control and injury if proper break-in is not performed. Please drive the vehicle at moderate speeds using different tilt angles to have the tires create friction with the ground over the entire surface area. Normal friction surface will be formed after a 125 mi. (200km) break-in period. Avoid sudden braking, heavy acceleration, and high speed sharp turns during the break-in period.

Below the tire valve is tire pressure detection system. When adjusting the tire pressure or servicing the tire, avoid damaging tire pressure detection system. Tire repair fluid, anti-puncture fluid and other items that may hinder air from entering the tire pressure sensor, which may affect tire pressure sensor and could cause irreversible damage.

MAINTENANCE

Tire Friction

When tire tread wear exceeds the use limit, the tire becomes more susceptible to punctures and failure. An accepted estimate is that 90% of all tire failures occur during the last 10% of tread life, so it is unsafe to continue to use tires until they are bald. In accordance with the Periodic Maintenance Chart, measure the depth of the tread with a depth gauge, and replace any tire that has worn down to the minimum allowable tread depth.

Visually inspect the tire tread for cracks and cuts, and replace with a new tire if severely damaged. For example, if partial expansion appears on the tire, it means the tire is severely damaged.

Remove any embedded stones or other foreign particles from the tread.

CAUTION

When the environment temperature is below 14°F (-10°C), it is recommended to place the vehicle indoors if required to store for a long time.

Do not use side stand to park vehicle for long time in winter. Use the center stand (if equipped) or a stand bracket to park the vehicle, as the tires should not bear the vehicle weight.

Do not allow the tires to sink into snow or ice when parking the vehicle in winter.

When parking the vehicle for long time outside in winter, use a ground covering under the tires that will insulate and protect them.

MAINTENANCE

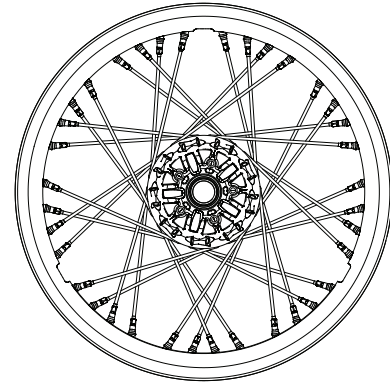
Spoke Rim Maintenance

This vehicle is equipped with a straight-pull mesh spoke rim, with good toughness, strong elasticity, impact resistance, light weight, small resistance and other advantages.

Spoke rim inspection mainly focuses on the state of the spokes and the distortion of the rim.

Tight spokes sound a clear bell voice when tapped. Loose spokes sound dull when tapped. If a spoke is loose, please contact your CFMOTO authorized dealer for maintenance. Replace with new spoke if a spoke is bent or damaged. Replace with a new rim if the rim cannot be straightened by spoke adjustment. Spoke rim maintenance should be executed only by professional maintenance technicians.

A well-adjusted rim will not bounce or appear bent during running. Have a technician adjust the spokes if this condition appears. Replace with a new rim if necessary. Contact your CFMOTO authorized dealer for maintenance.



MAINTENANCE

Drive Chain Inspection

The drive chain slack and lubrication must be checked daily before riding in accordance with the Periodic Maintenance Chart for safety and preventing excessive wear. If the chain becomes badly worn or maladjusted, it will lead excessive component wear and possible failure.

If the chain is too tight, will accelerate the wear for the chain, engine sprocket, rear sprocket and rear rim. Some parts may crack or break when placed under a load.

If the chain is too loose, the chain may fall off the engine sprocket or rear sprocket, which may cause locking of the rear wheel or engine damage.

The service life of the drive chain largely depends on the maintenance it receives.

Chain dirt inspection

Inspect periodically, and inspect the chain for dirt ingress after driving in severe conditions.

If the chain is dirty, flush any large dirt particles with a soft jet of water. Clean any residual dirt and residual lubricant with a proper chain cleaner.

Spray the chain with a proper chain lubricant after the chain is dry.

WARNING

When spraying chain lubricant, do not splash the lubricant onto other parts. Lubricant on the tires will decrease the tire grip, and lubricant on the brake discs will decrease the brake performance. Clean these components with a proper cleaner if over-spray occurs.

MAINTENANCE

Chain tension inspection

Place the transmission into Neutral gear.

Park with the side stand on level ground.

In the natural state, the distance between the chain and the lowest point of the swing arm should not exceed 30mm.

When pulling down the chain, the distance between the chain and the lowest point of swing arm should not exceed 50mm.

If the chain tension is out of specification, adjust it to the standard.

NOTE:

Rotate the rear wheel to different positions and repeat the measurement before adjusting chain tension.

Chain Tension Adjustment

Loosen the rear wheel shaft nut **1**.

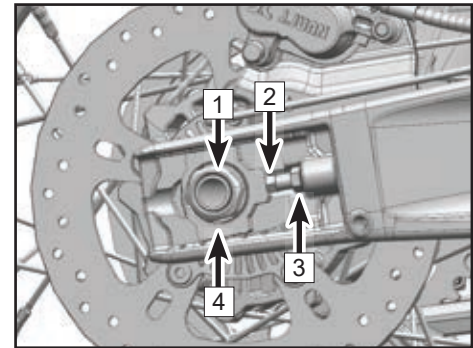
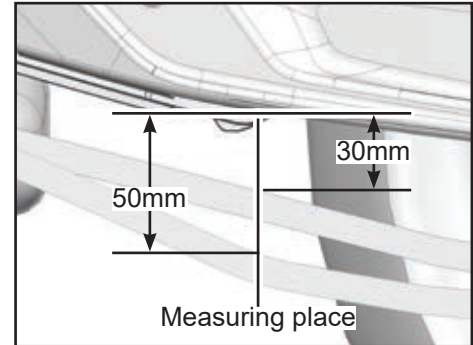
Loosen the left and right locking nuts **3**.

Screw the left and right adjusting bolts **2** evenly to adjust chain tension, ensuring the alignment marks on the left and right chain tensioner **4** are the same with the reference mark position.

Make sure the swing arm end is touching tightly to the adjusting bolt.

Tighten the left and right locking nuts **3** and wheel shaft nut.

Wheel Shaft Nut Torque: 66.4 ft-lb (90 N•M).



MAINTENANCE

Wear Inspection

Place the transmission into Neutral gear.

Support the vehicle with side stand.

Apply chain tensioning or hanging a 22 lb. (10 kg) object on the chain.

Measure the length between 20 links for elongation. If the measured length exceeds the standard limit, replace the chain with a new one.

Standard limit: 12.6 in (320.7mm)

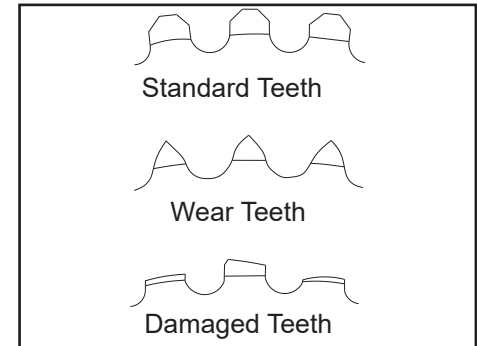
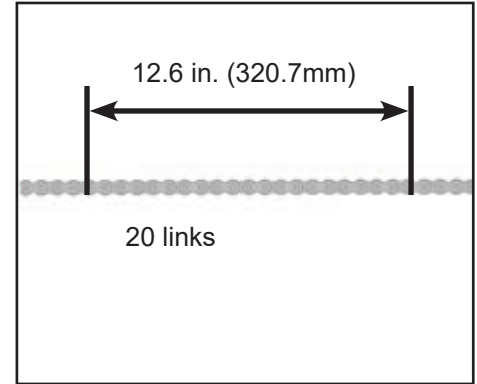
DANGER

For your safety, please use the standard chain. When chain is elongated, never cut the chain and mount back onto the vehicle. Have it replaced by an authorized CFMOTO dealer.

Inspect the rear sprocket and engine sprocket teeth for any kind of wear.

If the engine sprocket or rear sprocket is worn, then replace the both sprockets as a set.

Inspect chain guard for wear. Inspect chain tightness if chain guard is worn. Replace chain and chain guard if necessary.



MAINTENANCE

Brake System

In order to guarantee excellent performance of your vehicle and personal safety, please service and maintain the vehicle according to the Periodic Maintenance Chart. Make sure all the parts of the brake system are in good state. If any damage occurs to the brake system, have your vehicle inspected by an authorized dealer.

Front Brake Lever Inspection

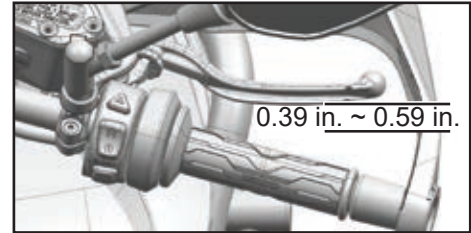
Park with the side stand on level ground.

Grip lightly the front brake lever and inspect its free travel.

Free travel: 0.39 in. ~ 0.59 in. (10 mm~15 mm)

Inspect the front brake lever for any cracks or abnormal noise.

Replace with new parts if problems are discovered.



Rear Brake Pedal Inspection

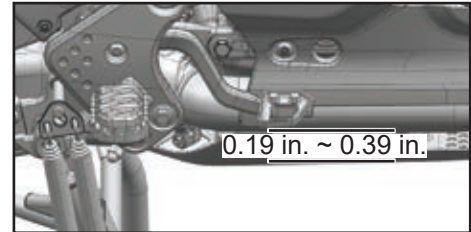
Park with the side stand on level ground.

Lightly apply the rear brake pedal and inspect its free travel.

Free travel: 0.19 in. ~ 0.39 in. (5 mm~10 mm)

Inspect the rear brake pedal for any cracks or abnormal noise.

Replace with new parts if problems are discovered.



⚠ WARNING

If the brakes feel soft when applying the brake lever or brake pedal, there may be air in a brake fluid hose or lack of fluid. If the vehicle has this dangerous condition, do not drive the vehicle. Have the brake system checked immediately by an authorized CFMOTO dealer.

MAINTENANCE

Brake Fluid Level Inspection

Hold the vehicle upright on level ground.

Inspect the front and rear brake reservoir fluid levels.

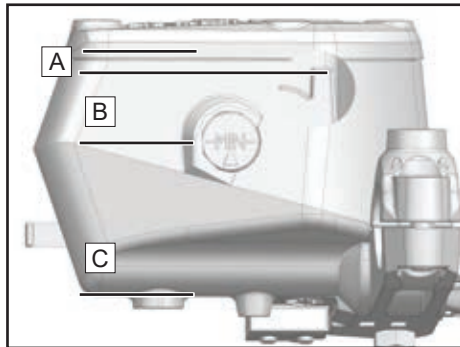
If the brake fluid level is located at area 'A': Drain out the redundant fluid until it arrives at area 'B'.

If the brake fluid level is located at area 'B': The fluid is in proper level.

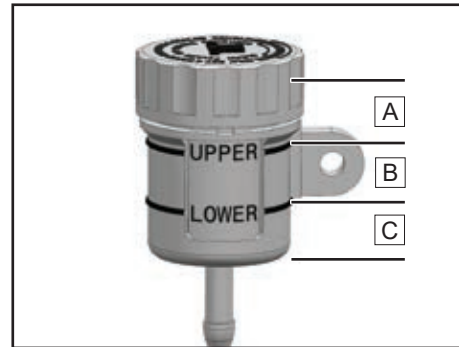
If the brake fluid level is located at area 'C' or cannot see the level: Refill with same brake fluid until the level arrives at area 'B.'

WARNING

If brake fluid level drops to area C frequently, the brake system is leaking, not sealed, or is damaged. Have the brake system checked immediately by an authorized CFMOTO dealer.



Front brake fluid reservoir



Rear brake fluid reservoir

MAINTENANCE

Adding Brake Fluid

WARNING

Brake fluid causes skin irritation. Rinse the affected area with plenty of water in the event of contact with the skin.

Keep brake fluid out of the reach of children.

Keep brake fluid away from skin, eyes or clothing. Wear protective clothing and goggles when required.

Consult a doctor immediately if brake fluid has been swallowed.

Rinse eyes thoroughly with water immediately and consult a doctor if brake fluid comes into contact with the eyes.

If brake fluid spills onto your clothing, change the clothing.

WARNING

Brake fluid used for long time without replacement will reduce braking efficiency. Please change the brake fluid according to the Periodical Maintenance Schedule. Only use the same type DOT5.1 brake fluid as marked on the fluid reservoir. The mixing of different brake fluid types may cause brake system damage or failure. Please contact your authorized CFMOTO dealer for brake fluid maintenance.

NOTE

When the brake fluid level goes down, it causes negative pressure inside the fluid reservoir, which may lead to reservoir gasket sag. Remove the reservoir cap to release the pressure. Adjust the reservoir gasket and then install the gasket and cap.

MAINTENANCE

Front Brake Fluid Reservoir

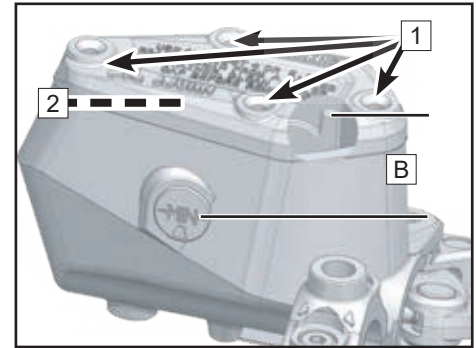
Remove bolt **1**.

Remove the cover and reservoir gasket **2**.

Refill brake fluid to area B.

Mount the cover and reservoir gasket in place.

Mount bolts.



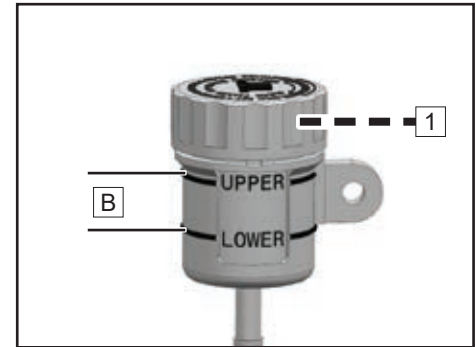
Rear Brake Fluid Reservoir

Remove the cover and reservoir gasket **1**.

Refill brake fluid to area B.

Mount the cover and reservoir gasket in place.

Mount bolts.



MAINTENANCE

Brake Disc Inspection

Inspect brake discs periodically for any damage, out of shape, cracks or wear. Damaged brake discs may cause braking failure. Worn-out brake discs reduce the braking distance. If brake discs are damaged or exceed the wear limit, contact an authorized dealer to replace with new brake discs immediately.

Inspect the thickness in several positions for front and rear brake discs.

Rear brake wear limit: 0.16 in. (4mm)

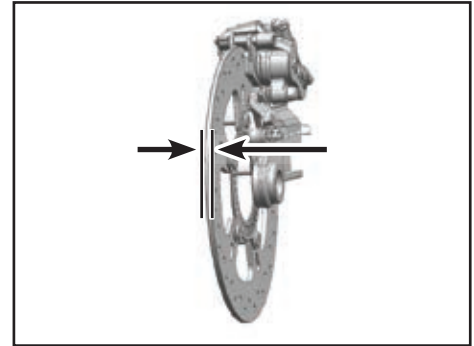
Brake Caliper Inspection

Inspect the brake calipers before riding. Inspect the brake pads for minimum thickness periodically. If the brake pad is too thin, it will cause the steel plate to rub the brake discs, which will severely reduce brake effect and damage the brake system.

Inspect the minimum thickness of brake pads on all brake calipers.

Brake pad minimum thickness: 0.05 in. (1.3 mm)

If the brake pad thickness is less than the minimum limit, or the brake pad plate is damaged, please contact an authorized dealer immediately to repair the brake system.



MAINTENANCE

Anti-lock Braking System (ABS)

ABS is a safety system that prevents locking of the wheels when driving straight ahead without the influence of lateral forces.

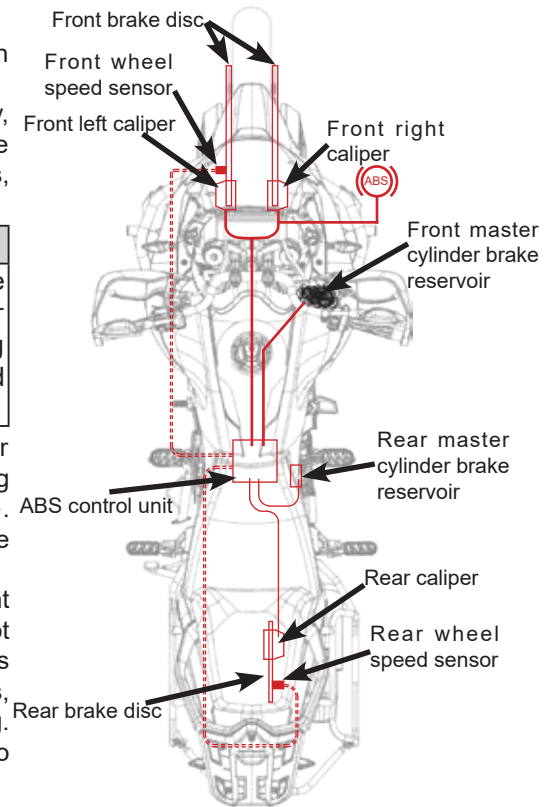
With the assistance of ABS when fully braking or braking in gritty, ponding, sliding or other low-adhesive force road conditions, the vehicle will handle with full brake force and will not lock the wheels, which could cause an accident.

⚠ DANGER

It is not always possible to prevent vehicle rollover in extreme riding situations, e.g. luggage/cargo loaded with a high center of gravity, varying road surfaces, steep descents, full braking without the clutch released. Adapt your riding style to the road conditions and your driving ability.

ABS operates with two independent brake circuits (front and rear brakes) . When the brake electronics control unit detects a locking tendency in a wheel, ABS begins regulating the brake pressure. Operators will feel the regulating process as a slight pulsing of the hand or foot brake levers.

When turning on the ignition switch, the ABS indicator should light up and go out after driving has started. If the ABS indicator does not go out after driving has started, or if it lights up during driving, this indicates that there is a fault in the ABS system. If a fault occurs, ABS will not work, and the wheels may lock during heavy braking. The brake system stays fully functional, but ABS is not available to correct potential wheel lock-up.



MAINTENANCE

Shock Absorber

Shock Absorber Inspection

Holding the handle bar, compress the front fork for several times to inspect for smooth function. Visually inspect the front shock absorbers for oil leaks, scratches or friction noise.

After riding, check the front shocks for any mud, dirt or debris. Clean these surfaces periodically. Failure to maintain them could lead to oil seal damage and shock oil leak.

Press down on the seat with your weight several times to check if the rear shock absorber works smoothly. Visually inspect the rear shock absorber for an oil leak.

If you have any doubt about the front or rear shock absorber performance, please contact an authorized CFMOTO dealer for immediate inspection.

MAINTENANCE

Rear Shock Absorber Adjustment

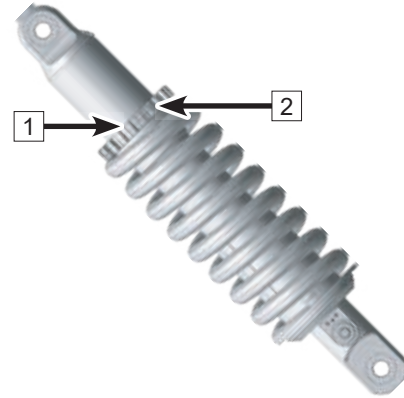
The shock absorber has been adjusted to the best position when the vehicle leaves the factory, which is suitable for most situations.

Spring Preload Adjustment

When driving on hard road surface or loading with the maximum load, increase the spring preload could have a more steady driving experience. When driving on uneven surface or soft road surface, decrease the spring preload could have a more smooth driving experience.

Loosen the lock nut **1** with an absorber adjusting wrench, then turn the adjusting nut **2** to the desired spring preload. Tighten the lock nut after adjustment is completed.

Contact your CFMOTO authorized dealer to adjust the spring preload. Please do not adjust without having proper knowledge of the effects of such an adjustment.



Shock absorber oil:K2C

Shock absorber volume:133±2mL

MAINTENANCE

Rebound Damping Adjustment

Rebound damping affects the response speed of shock absorber. The higher the rebound damping adjuster setting **3**, the slower the rebound speed of the suspension. The lower the rebound damping setting, the faster the rebound speed of the suspension.

Factory setting: 10

Total available settings: 20 ± 2

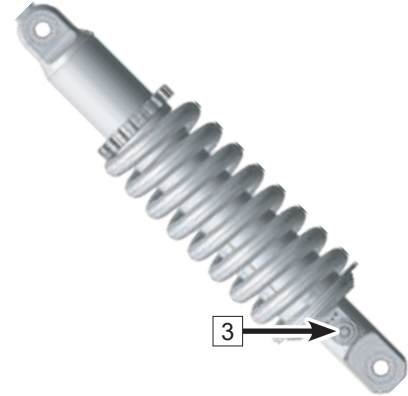
Rotate the adjuster counter-clockwise (S direction) by a straight screwdriver and record the number of clicks to decrease rebound damping. Rotate the adjuster clockwise (H direction) by a straight screwdriver and record the number of clicks to increase rebound damping.

Fully rotate the adjuster back from the recorded clicks to restore the factory setting. Or, rotate the adjuster counter-clockwise (S direction) to the end, and then rotate it clockwise (H direction) to the 10th click.

Contact a CFMOTO dealer before attempting any suspension adjustment. Please do not adjust without having proper knowledge of the effects of such an adjustment.

⚠ DANGER

The part contains high-pressure nitrogen. Improper operation may cause an explosion. Read the relevant instructions. Don't throw it into fire, make holes or open.



MAINTENANCE

Front Shock Absorber Adjustment

The shock absorbers have been adjusted to the optimal position at the factory, which is suitable for most situations.

Compression Damping Adjustment

Rebound damping [4]: TEN Compression damping [5]: COMP

Rebound damping affects the response speed of shock absorber. The higher the rebound damping setting [4], the slower the rebound speed of the suspension. The lower the rebound damping setting, the faster the rebound speed of the suspension.

Compression damping affects the response speed of shock absorber. The higher the compression damping setting [5], the slower the compression speed of the suspension. The lower the rebound compression setting, the faster the compression speed of the suspension.

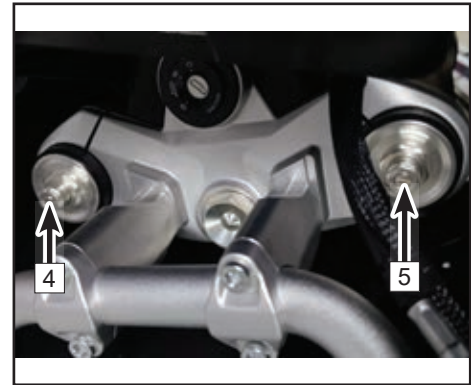
Factory setting: 10 clicks

Total available settings: 20±2 clicks

Rotate the adjuster counter-clockwise (H direction) by straight screwdriver and record the number to decrease compression damping. Rotate clockwise (S direction) by straight screwdriver and record the number to increase compression damping.

Fully rotate the adjuster back from the recorded clicks to restore the factory setting, or rotate counter-clockwise (H direction) to the end, then rotate clockwise (S direction) to the 10th click.

Contact a CFMOTO dealer before attempting any suspension adjustment.



Shock absorber oil:KHL15-10

Shock absorber volume:585±2mL

MAINTENANCE

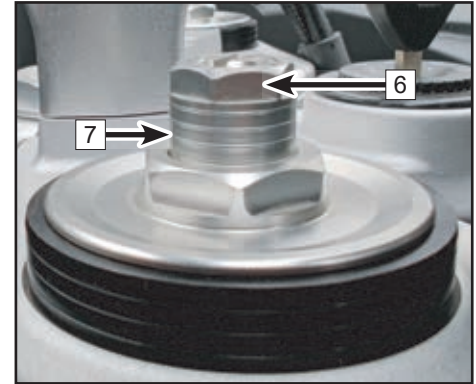
Preload Adjustment

Front shock spring preload influences the force needed for spring compression. The higher the preload, the more force will be needed to compress the spring a certain distance. The lower the preload, the less force will be needed to compress the spring the same distance.

Turn the preload adjusting nut **6** by clockwise direction (H direction) to add spring preload. Turn the preload adjusting nut **6** counter-clockwise direction (S direction) to reduce spring preload.

When adjusting the preload, ensure the number of mark lines **7** appear equally on both left and right preload adjusters.

Contact a CFMOTO dealer before attempting any suspension adjustment.



MAINTENANCE

Suspension Adjustment Chart

Absorber	Main items		Auxiliary items		
	Rear shock absorber		Front shock absorber		
	Spring preload	Rebound damping	Spring preload	Compression damping	Rebound damping
Condition					
One person (75kg)	3 circles	10±2	4 circles	10±2	10±2
One person (75kg)+Load (three boxes load)	5 circles	15±2	4 circles	10±2	10±2
One person (75kg)+One person (75kg)	6 circles	17±2	5 circles	13±2	13±2
One person (75kg)+One person (75kg)+Load (three boxes load)	7 circles	19±2	6 circles	15±2	15±2
*Recommended for general road and light off-road	The above are all counterclockwise to the limit position, and then clockwise to increase the number of preload turns or damping segments. This is the recommended value, and users need to adjust it according to personal				

MAINTENANCE

Electrical System and Light Signal

Battery

The battery in this vehicle is a maintenance-free battery. Therefore, it is unnecessary to inspect the amount of battery electrolyte or add distilled water. To ensure optimum service life of the battery, keep the battery charged properly to ensure the battery has reserve capacity available at the starter motor. When the motorcycle is used frequently, the battery charge is maintained by the motorcycle charging system. If the motorcycle is only used occasionally, or used for a short time during each ride, the battery can remain discharged. Batteries can also self-discharge from infrequent use. The rate of discharge varies with battery type and ambient temperature. When environment temperature rises for example, the rate of discharge could increase by a factor of 1 for every 15°C temperature rise.

In cold weather, if battery is not charged properly it can easily cause freeze the electrolyte, which may lead to battery cracking or warped electrode plates, which appear as a bulge on the battery sides. Proper, full charging of the battery improves freeze-proof capability.

MAINTENANCE

Battery Maintenance

Always keep the battery fully charged, or may it damage the battery and result in a shorter life.

If the vehicle is driven infrequently, inspect the battery voltage weekly with a voltmeter. If it drops below 12.8 volts, the battery should be charged with an appropriate charger (check with your dealer). If you will not use the vehicle for longer than 2 weeks, the battery should be tended with an appropriate trickle charger. Do not use an automotive type quick-charger that may overheat the battery and damage it.

Battery Recharger

Contact your dealer for battery charger specifications.

Battery Charging

Remove the battery from the vehicle before charging.

Connect the positive and negative wires from the charger and charge the battery at a rate 1/10th Amp of the battery capacity. For example, the charging rate for a 10Amp-hour battery would be 1.0 ampere.

Ensure that the battery is fully charged before installation.

WARNING

Do not install a conventional wet-cell battery in this motorcycle. The electrical system will not work properly and damage will result.

When removing the battery, remove the negative terminal first, then the positive terminal. When installing, the connecting order is opposite of battery removal.

NOTE:

When charging a maintenance-free battery, always follow the instructions shown on the label.

MAINTENANCE

Lights

High beam, low beam and fog lights are adjustable. Rotate the light adjusting knob **1** to adjust the light.

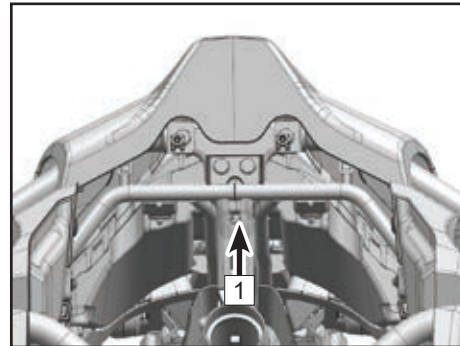
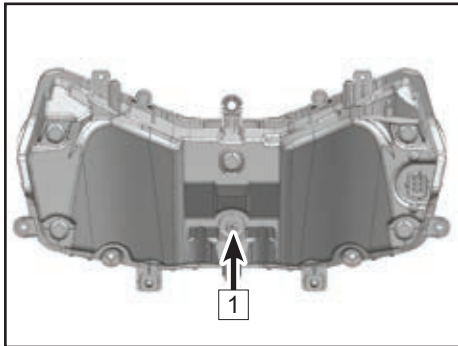
⚠ CAUTION

Adjustment of high / low beams should be accordance with local regulations. The beam height standard is based on the front and rear wheels on level ground with the driver seated on the vehicle.

All lights are an LED structure, which cannot be repaired if damaged or failed. Have your dealer replace the entire assembly if an LED is damaged or has failed.

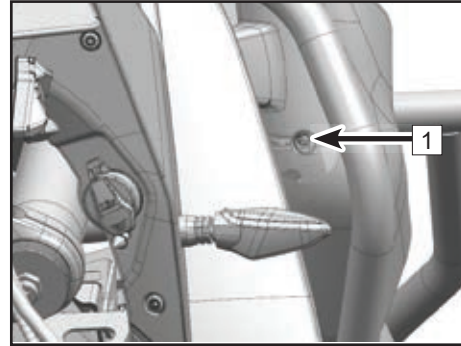
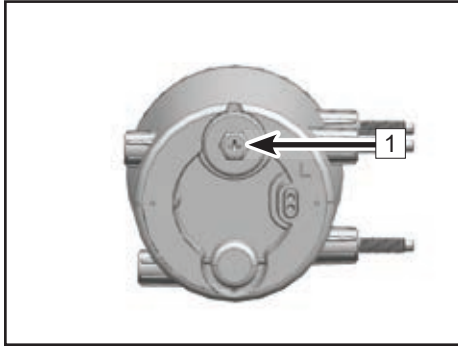
⚠ CAUTION

Do not leave the power turned on for a long time if engine will not be started. Leaving lights constantly on will use battery capacity and could cause the engine to fail to start.



MAINTENANCE

Fog Light Beam



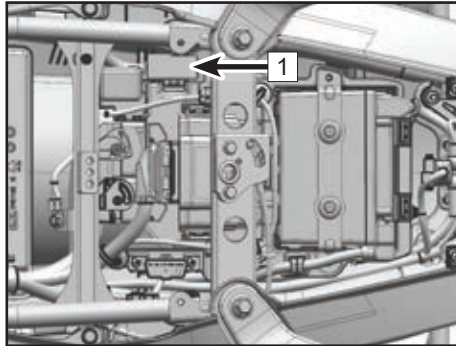
MAINTENANCE

Fuses

The fuse box **1** is located under the seat, it is visible after removing the seat. If a fuse is blown, inspect the electrical system for damage and replace with the same new fuse.

⚠ WARNING

Do not use any substitute for the standard fuse. Replace a blown fuse with a new one of the same ampere. Ampere value is shown on fuse.



MAINTENANCE

Radar System(If Equipped)

FUNCTION

With the help of a rear radar system, this vehicle is capable of Blind Spot Detection(BSD)/Lane Changing Alert(LCA) and Rear Collision Warning(RCW).

NOTICE: You must follow specific regulations about the radar system in certain countries where you drive vehicles.

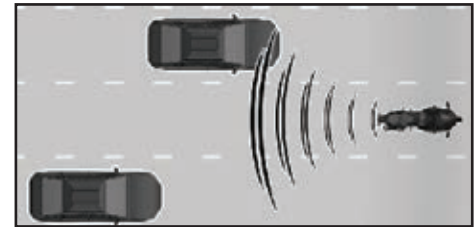
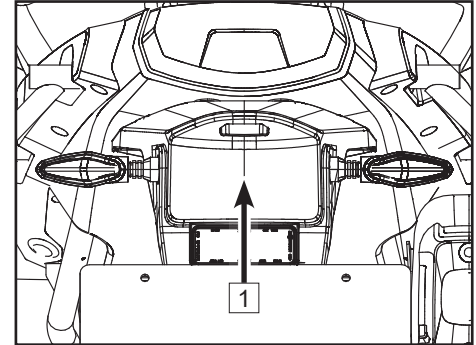
A radar sensor 1 is in the rear fender.

BSD/LCA

This function helps change lanes under system restrictions. When the system detects a vehicle around yours and specific conditions are met, a yellow or red line will light up on the right or the left side of the instrument.

RCW

This function helps warn drivers of a rear collision risk under system restrictions. When the system detects a vehicle at the back of yours and specific conditions are met, a red line will flash at the bottom of the instrument.



MAINTENANCE

WARNING


Please do not rely heavily on the radar system.

- The system is only to warn you of vehicles in your blind spot, so it can not help you avoid all dangers;
- In addition, due to system restrictions, an undetectable vehicle may approach or pass yours and at this time you have a responsibility to check rear conditions before changing lanes;
- To use the system properly, please read this part and “SYSTEM RESTRICTIONS” in this manual.

OPERATION

Turn on or turn off:

Choose “BSD/LCA” and “RCW”: MMI -- Settings -- Driving.

NOTE: When the ignition switch is turned on, the radar system will carry out a self-inspection. If a fault occurs, the instrument will show a red icon “”, and in this circumstance, please contact CFMOTO-authorized dealers for service.

MAINTENANCE

Warning level:

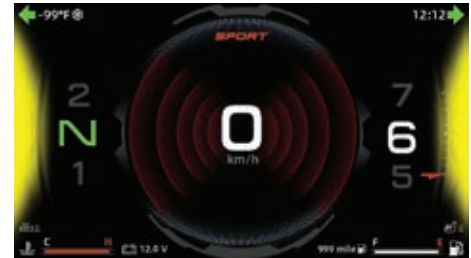
For BSD/LCA:

Level one: When a vehicle is detected in certain areas and specific conditions are met, a yellow line will light up in the left or right of the instrument.

Level two: When the warning reaches level one and then operating turning lights, a red line will flash in the left or right of the instrument.

For RCW:

Level one: When a vehicle is detected in certain areas at the back of yours and dangerous conditions are met, a red line will flash at the bottom of the instrument.



MAINTENANCE

SYSTEM RESTRICTIONS

A radar system may operate abnormally in some conditions, please see the following:

Environmental Factors

- Severe climate: downpour, fog, snow and so on;
- Steam, smog and so on.

NOTICE: Particles may cause the radar system scatter.

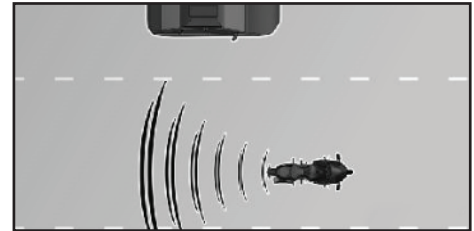
Road Factors

- When there is a vehicle on turning lanes;
- Winding or rolling roads;
- Roads with sharp slopes;
- Roads which can reflect radio waves: tunnels, narrow iron bridges, indoor parking lots and so on;

NOTICE:

Vehicles in your blind spot may stand outside the detection of our radar system.

Objects or structures flanking roads may be misjudged by your vehicle.



MAINTENANCE

Vehicle Factors

- The dirty radar sensor area, including dust, dirt, insects and so on.
- Enormous impacts on the area around the radar sensor due to accidents.

Operation Factors

- Lane-crossing driving
- Operation on road separators;
- Overtaking
- Extreme operation: Front wheels off the ground or sliding, abrupt acceleration or deceleration or turnings and reversing.

Other Factors

- Small-sized vehicles in detectable areas: Bicycles, mini motorcycles and so on;
- Humans;
- Unexpected things, such as water splash, may disturb the radar system;
- When lanes are wide, the lane next to yours may stand outside of the detectable area;
- When a vehicle approaches yours from lanes not next to you in a horizontal direction;
- When many vehicles with narrow spaces approach yours;
- When overtaking other vehicles with a speed difference of 15km/h or higher;
- When the vehicles in your detectable area have large difference in height with yours.

MAINTENANCE

SERVICE

- To ensure its best performance, radar sensor's front part must be kept clean.
- Please do not put on the radar sensor any object, such as tapes or labels.

MAINTENANCE

Catalytic Converter

This motorcycle is equipped with a catalytic converter in the exhaust system. Platinum and rhodium contained inside the converter reacts with the engine exhaust of carbon monoxide and hydrocarbons to convert them into carbon dioxide and water, resulting in cleaner exhaust gases discharged into the atmosphere.

For proper operation of the catalytic converter, the following cautions must be followed:

Only use unleaded gasoline. Never use leaded gasoline. Leaded gasoline significantly reduces the service life of the catalytic converter.

Do not coast the vehicle with the engine and transmission engaged, and the ignition switch and/or engine stop switch off. Do not attempt to start the engine many times when the battery is discharged. Under these conditions, unburned air/fuel mixture can flow into exhaust system, accelerating the reaction with the converter which leads the converter to become overheated and damaged when the engine is hot, or reduce converter performance when the engine is cold.

CAUTION

Only use unleaded gasoline. Even a little lead can damage the precious metals inside the catalytic converter, causing catalytic converter failure. Do not add anti-rust oil or engine oil into the muffler, which may result in catalytic converter failure.

MAINTENANCE

Fuel Evaporation System

This vehicle is equipped with an EVAP System. Fuel vapors from the fuel tank are drawn into a carbon tank through an absorption tube. The fuel vapors are absorbed by canister that contains active carbon when the engine is stopped. When the engine is running, fuel vapors absorbed in the carbon canister flow into the air intake and burn as a normal part of combustion, avoiding environmental pollution instead of being released into the air directly. Meanwhile, air pressure inside the fuel tank is balanced by the EVAP system. If inner pressure of fuel tank is lower than outside, it is available to replenish air pressure through the air tube of the carbon canister and absorption tube. The EVAP tube system should always remain clear without blocking or squeezing, otherwise the fuel pump could be damaged, and the fuel tank can also become deformed or broken.

Please contact an authorized CFMOTO dealer if a fuel evaporation system component has failed. Do not modify the fuel evaporation system, or the system will not meet requirements for environmental regulations. Tube connections should be well connected after any repair without air leakage, blocking, squeezing, being broken or damaged etc.

CLEANING & STORAGE

Motorcycle cleaning and storage

General Precautions

Keeping your motorcycle clean and in best performance will extend the vehicle service life. Covering your motorcycle with a high quality, breathable motorcycle cover will help to protect the vehicle during storage.

- Always clean the motorcycle after the engine and exhaust system have cooled.
- Avoid applying harsh detergents to seals, brake pads, and tires.
- Wash the vehicle by hand. Do not use high-pressure spray.
- Avoid all harsh chemicals, solvents, detergents, and household cleaning products like ammonium hydroxide.
- Gasoline, brake fluid, and coolant will damage painted plastic surfaces. Wash them off immediately if splashed on any painted plastics.
- Avoid metal brushes, steel wool, and all other abrasive pads or brushes to clean the vehicle.
- Use caution when washing the windshield, headlight cover, and other plastic parts as they can be easily scratched.
- Avoid high water pressure, as it may penetrate seals and electrical components, resulting in vehicle damage.
- Avoid spraying water into areas such as air intakes, fuel system, electrical components, muffler outlets and key locks.

CLEANING & STORAGE

Washing Vehicle

- Rinse with cold water to remove any loose dirt.
- Mix a mild detergent specific for motorcycles or automobiles with water in bucket. Use a soft cloth or sponge to wash your motorcycle. If necessary, use a mild degreaser to remove any oil or grease build-up. Start at the top of the motorcycle and wash bottom parts last.
- After washing, rinse your motorcycle with clean water to remove any residue (residue from the detergent can damage the components of your motorcycle).
- Dry off your motorcycle with a soft cloth to avoid scratches.
- Start the engine and allow it idle for several minutes. The heat from the engine will help dry off the vehicle in moist areas.
- Carefully ride the motorcycle at a low speed and apply the brake several times. This will help to dry the brakes and restores their normal operating performance.
- Lubricate the drive chain to prevent rusting.

NOTE:

When riding in areas where the roads are salted or near the ocean, clean the motorcycle after your ride with cold water immediately. Do not use warm water to wash your vehicle as it accelerates the chemical reaction of the salt. After drying the vehicle, applying an anti-corrosion spray to all metal or chrome surfaces will help prevent corrosion. In the case of riding during a rainy day or just washing the motorcycle, condensation may form on the inside of the headlight lens. If this happens, start the engine and turn on the headlight to remove the moisture.

CLEANING & STORAGE

Protect the Surface

After washing your motorcycle, coat the painted surfaces, both metal and plastic, with a commercially available motorcycle/automobile wax. Wax should be applied every three months or as conditions require. Always use non-abrasive products and apply them according to the instructions.

Windshield and Other Plastics

After washing, use a soft cloth to gently dry off plastic parts. When the vehicle is dry, treat the windshield, headlight lens, and other unpainted plastic parts with an approved plastic cleaner or polish.

CAUTION

Plastic parts may deteriorate and break if they come in contact with chemical substances or household cleaning products such as gasoline, brake fluid, window cleaners, thread fastener glue, or other harsh chemicals. If a plastic part comes in contact with any harsh chemical substance, wash it off with water, and then inspect for damage. Avoid using abrasive pads or brushes to clean plastic parts, as they will damage the plastic surface.

Chrome and Aluminum

Chromium alloy and uncoated aluminum parts exposed to the air can oxidize, become dull and lackluster. These parts should be cleaned with a detergent and polished with a spray polish. Painted and unpainted aluminum wheels should be cleaned with special detergent.

Leather, Vinyl, and Rubber Products

If your motorcycle has leather accessories, use a special leather cleaner/treatment to clean. Washing leather parts with detergent and water will damage them, shortening their life. Vinyl parts should be

CLEANING & STORAGE

cleaned separately. Tires and other rubber components should be treated with a rubber protective agent to preserve their life.

DANGER

Special care must be taken when treating tires, that rubber protective agent applied will not affect the tire tread function. If not applied correctly, it may decrease the traction between the tire and ground, possibly causing a loss of control.

CLEANING & STORAGE

Preparation for Storage

Clean the entire vehicle thoroughly.

Run the engine for about 5 minutes, stop the engine, then change the engine oil and filter.


DANGER

Motorcycle oil is a toxic substance. Dispose of used oil properly. Keep the used oil out of reach of children. If skin contacts the oil it should be washed off immediately.

Fill with fresh engine oil.

Fill with fuel and appropriate fuel additive.

DANGER

Gasoline is extremely flammable and explosive under certain conditions. Turn the ignition key to “” position when operation the vehicle. Do not smoke. Make sure the area is well ventilated and free of any source of flame or sparks. This includes any appliance with a pilot light. Gasoline is a toxic substance. Dispose of gasoline properly. Keep the used oil out of reach of children. If skin contacts the oil should be treated immediately.

Reduce tire pressure by 20% during storage period.

Raise wheels off the ground using wood boards or other material to keep dampness away from the vehicle.

Spray a corrosion inhibitor on all unpainted metal surfaces to prevent rusting. Avoid spraying on rubber parts or on the brakes.

Lubricate the drive chain and all cables.

Remove the battery. Store it out of the sun and in a cool, dry place. Ensure that the battery is fully charged

CLEANING & STORAGE

according to periodic maintenance chart.

Tie plastic bags over the muffler exhaust pipe to prevent moisture from entering.

Put a cover over the motorcycle to keep dust and dirt from collecting on it.

Preparation After Storage

Remove the plastic bags from the muffler.

Verify the battery condition. Charge it if necessary, then install the battery in the motorcycle.

Lubricate any pivot points as necessary (handle bar levers, foot pedal, etc).

Check all the points listed in Pre-Ride Inspection section.

Test ride at slow speed to verify the vehicle functions normally.

Transporting Your Vehicle

If your vehicle needs to be transported, it should be carried on a motorcycle trailer, a flatbed truck, or trailer that has a loading ramp or lifting platform, and be secured with motorcycle tie-down straps. Never try to tow your vehicle with a wheel or wheels on the ground.

CLEANING & STORAGE

General troubles and causes

Problem	Component	Cause	Solution
Engine fails to start	Fuel System	No fuel in fuel tank	Refuel
		Pump blockage or damage: poor fuel quality	Clean or replace
	Ignition System	Spark plug failure: excessive carbon deposits, too long time usage	Clean or replace
		Spark plug cap failure: Poor contact or burning	Clean or replace
		Ignition coil failure: poor contact or burning	Clean or replace
		ECU failure: Poor contact or burning	Clean or replace
		Trigger coil failure: poor contact or burning	Clean or replace
		Stator failure: poor contact or burning	Clean or replace
		Wiring failure: poor contact	Inspect or adjust
	Cylinder compression	Starting mechanism failure: worn or damaged	Clean or replace
		Intake and exhaust valves, valve seats faulty: too much fuel colloidal or too long time use	Clean or replace
		Cylinder, piston, piston ring failure: too much fuel colloidal or wear	Clean or replace
		Intake manifold leakage: too long time use	Clean or replace
Valve timing faulty		Clean or replace	

CLEANING & STORAGE

Insufficient power	Valve and piston	Intake and exhaust valves, piston excessive carbon deposits: poor fuel quality and poor oil quality	Repair or replace
	Clutch	Clutch slips: poor oil, too long time use and overloaded	Adjust or replace
	Cylinder and ring	Cylinder, piston rings wear: poor oil quality and too long time use.	Replace oil
	Brake	Incomplete separation of brake: the brake is too tight	Adjust
	Main chain	The drive chain is too tight: improper adjustment	Adjust
	Engine	Engine overheats: too rich or too lean mixture, poor oil, fuel quality, shelter, etc	Adjust or replace
Insufficient power	Spark plug	Improper spark plug gap, normal specification is 0.8mm -0.9mm	Adjust or replace
	Intake pipe	Air leakage of intake pipe: too long time use	Adjust or replace
	Cylinder head	Air leakage for cylinder head or valves	Adjust or replace
	Electric system	Electrical system failure	Inspect or repair
	Air filter	Clogged air filter	Replace
Headlights and tail lights do not work	Cable	Poor connections	Adjust
	Left and right switches	Switch poor contact or damage, blown fuse	Adjust or replace
	Headlight	Bulb and lamp holder failure or damage, blown fuse	Adjust or replace
	Regulator	Inspection. Loose connection or burnt	Inspect or replace
	Magneto	Inspect the coil: poor connection or burnt	Inspect or replace

CLEANING & STORAGE

Horn not work	Battery	No electricity, blown fuse	Recharge or replace
	Left switch	Horn button fault or damage	Adjust or replace
	Cable	Poor connection	Adjust or repair
	Horn	Horn damage	Adjust or replace

The items listed are the common faults of a motorcycle. If your motorcycle has failed (especially the electronic fuel injection system, fuel evaporation system, or alarms system), please contact a CFMOTO authorized dealer to check and repair the vehicle.

DANGER

Do not try to fix faults without professional help, otherwise it could cause an accident. You become responsible for accidents related to any repairs or maintenance not performed by a CFMOTO dealer.

Telematics BOX (T-BOX) and CFMOTO Ride App

In select markets, this CFMOTO vehicle is equipped with an intelligent terminal box, or T-Box. This feature helps build a communication bridge between the owner and vehicle through the CFMOTO Ride App, which installs on an Android or Apple phone. Contact your dealer for more information on CFMOTO RIDE availability in your market and its features.

SPECIFICATIONS Torque Table

Mounting place	Item	Torque N•m & Thread locker
Oxygen sensor	Oxygen sensor	50N•m
Nut, front exhaust pipe	Muffler nut	Inside 20N•m (1) Outside 12N•m (2) Inside 20N•m (1)
Bolts, front muffler body	Bolt M8*30	25N•m (thread locker 243)
Side stand switch	Bolt M5	4N•m (thread locker 243)
Lock nut, rear brake lever	Nut M8	25N•m (thread locker 243)
Lock nut, gearshift lever pedal	Nut M8	25N•m (thread locker 243)
Dual hydraulic sensor switch	Dual hydraulic sensor switch	20N•m
Rear brake fluid inlet pipe	Banjo bolt II	25N•m
Front brake fluid outlet pipe	Banjo bolt II	25N•m
	Screw M10*45	48N•m (thread locker 243)
Lower bolt, LH front footrest	Bolt M10*87	45N•m (thread locker 243)
Lower bolt, LH front footrest	Bolt M10*1.25*40	45N•m (thread locker 243)
Lower bolt, RH front footrest	Bolt M10*1.25*40	45N•m (thread locker 243)
Connecting bolt, engine bracket and engine	Bolt M10*60	45N•m (thread locker 243)
Bracket, middle supporter	Bolt M10*45	45N•m (thread locker 243)
	Bolt M10*30	

SPECIFICATIONS

Connecting bolt, engine bracket and frame	Bolt M8*50	28N•m (thread locker 243)
Upper bolt, front footrest	Bolt M12*60	100N•m
Bolt, rear shock absorber	Shock absorber bolt (lower or upper) M12*60	80N•m (thread locker 243)
Nut, output shaft	Small sprocket output shaft lock nut	102N•m (thread locker 243)
Bolt, frame	Frame upper lock bolt M10*22	60N•m (thread locker 2701)
Bolt, frame	Frame lower lock bolt M10*37	60N•m (thread locker 2701)
Handlebar seat	Inner hex screw M10*1.25*60	45N•m (thread locker 243)
Front brake master cylinder	Screw	2N•m
RH handlebar switch	Screw	2N•m
E-throttle	Screw	2N•m
Clutch lever assy	Screw	2N•m
LH handlebar switch	Screw	2N•m
LH hand grip assy	Screw	2N•m
Steering stem	Lock screw M25*1.5	21N•m
Front brake master cylinder pipe	Banjo bolt II	25N•m
Front shock absorber, lower triple clamp	Screw M8*30	Upper 20N•m (thread locker 243) Lower 16N•m (thread locker 243)

SPECIFICATIONS

Screw, upper triple clamp	Inner hex screw M8*30	20N•m (thread locker 243)
	Inner hex screw M8*25	20N•m (thread locker 243)
Nut, rear sprocket	Nut M25*1.5	90N•m
Fuel pump	Bolt M6*16	5N•m
Screw, front wheel shaft	Front wheel shaft screw M25*1.5	45N•m
Front brake caliper	Bolt M10*1.25*60	45N•m (thread locker 243)
Brake fluid pipe	Banjo bolt	25N•m
Rear footrest	Screw M8*20	25N•m (thread locker 243)
Rear muffler	Inner hex screw M8*52	25N•m (thread locker 243)
Small sprocket guard	Screw kit M5	5N•m (thread locker 243)
Gearshift rod and gearshift seat	GB70.2 M6*16	6N•m (thread locker 243)
Front bumpers	Bolt M8*20	25N•m (thread locker 243)
Bumper connecting pipe	Bolt M8*20	25N•m (thread locker 243)
Rear seat	Bolt M8*35	25N•m (thread locker 243)
Rear armrest deco cover	Screw kit M5	6N•m (thread locker 243)
Side box bracket	Screw M8	25N•m (thread locker 243)
Side box bracket connecting lever	Flange bolt M8	25N•m (thread locker 243)
Middle supporter	Screw M8	30N•m (thread locker 243)
Screw, front brake disc	Screw M8*25	25N•m (thread locker 243)
Screw, rear brake disc	Screw M8	25N•m (thread locker 243)
Rear sprocket	Sunk screw M8*28	38N•m (thread locker 2701)

